

MAYTAG NEPTUNE® DRYER

USE & CARE

G U I D E

TABLE OF CONTENTS

| | |
|--|-------|
| Safety Instructions | 1-2 |
| Dryer Exhaust Tips | 3 |
| Operating Instructions..... | 4-5 |
| Using the Controls..... | 6-8 |
| Special Laundry Tips..... | 9 |
| Care and Cleaning..... | 10 |
| Replace Drum Light..... | 10 |
| Reverse the Door | 10 |
| Drying Rack | 11 |
| Troubleshooting | 12-13 |
| Warranty | 15 |
| Guide d'utilisation et d'entretien | 16 |
| Guía de Uso y Cuidado..... | 32 |

IMPORTANT SAFETY INSTRUCTIONS

WELCOME

Welcome and congratulations on your purchase of a Maytag Neptune® dryer! Your complete satisfaction is very important to us. For best results, we suggest reading this material to help acquaint you with proper operating and maintenance procedures.

Should you need assistance in the future, it is helpful to:

- 1) Have complete model and serial number identification of your dryer.

Date of Purchase _____

Model Number _____

Serial Number _____

- 2) **IMPORTANT: Keep this guide and the sales receipt in a safe place for future reference. Proof of original purchase date is needed for warranty service.**

If you have questions, call:

Maytag Customer Assistance
1-800-688-9900 USA
1-800-688-2002 CANADA
1-800-688-2080 USA TTY
(for deaf, hearing impaired or speech impaired)
(Mon.–Fri., 8am–8pm Eastern Time)
<http://www.maytag.com>

For service and warranty information, see page 15.

NOTE: In our continuing effort to improve the quality of our appliances, it may be necessary to make changes to the appliance without revising this guide.

What You Need to Know About Safety Instructions

Warning and Important Safety Instructions appearing in this manual are not meant to cover all possible conditions and situations that may occur. Common sense, caution and care must be exercised when installing, maintaining or operating appliance.

Always contact your manufacturer about problems or conditions you do not understand.

Recognize Safety Symbols, Words, Labels

WARNING

WARNING: Hazards or unsafe practices which **COULD** result in severe personal injury or death.

CAUTION

CAUTION: Hazards or unsafe practices which **COULD** result in minor personal injury.

WARNING

WARNING: For your safety, the information in this manual must be followed to minimize the risk of fire or explosion or to prevent property damage, personal injury or death.

- Do not store or use gasoline or other flammable vapors and liquids in the vicinity of this or any other appliance.

WHAT TO DO IF YOU SMELL GAS:

- Do not try to light any appliance.
- Do not touch any electrical switch.
- Do not use any phone in your building.
- Clear the room, building or area of all occupants.
- Immediately call your gas supplier from a neighbor's phone. Follow the gas supplier's instructions.
- If you cannot reach your gas supplier, call the fire department.

Installation and service must be performed by a qualified installer, service agency or the gas supplier.

Save These Instructions

IMPORTANT SAFETY INSTRUCTIONS

WARNING

To reduce the risk of fire, explosion, electric shock, or personal injury when using your dryer, follow basic safety precautions, including the following:

1. Read all instructions before using the appliance.
2. To avoid the possibility of fire or explosion:
 - a. Do not dry items that have been previously cleaned in, washed in, soaked in, or spotted with gasoline, dry-cleaning solvents, other flammable or explosive substances as they give off vapors that could ignite or explode. Any material on which you have used a cleaning solvent, or which is saturated with flammable liquids or solids, should not be placed in the dryer, until all traces of these flammable liquids or solids and their fumes have been removed. There are many highly flammable items used in homes, such as: acetone, denatured alcohol, gasoline, kerosene, some liquid household cleaners, some spot removers, turpentine, waxes and wax removers.
 - b. Items containing foam rubber (may be labeled latex foam) or similarly textured rubber-like materials must not be dried on a heat setting. Foam rubber materials when heated, can under certain circumstances produce fire by spontaneous combustion.
3. Do not allow children or pets to play on, in, or in front of the appliance. Close supervision is necessary when the appliance is used near children and pets.
4. Before the appliance is removed from service or discarded, remove the door to the drying compartment.
5. Do not reach into the appliance if the drum is moving.
6. Do not install or store this appliance where it will be exposed to the weather.
7. Do not tamper with controls.

8. Do not repair or replace any part of the appliance or attempt any servicing unless specifically recommended in published user-repair instructions that you understand and have the skills to carry out.
9. Do not use fabric softeners or products to eliminate static unless recommended for dryer use by the manufacturer of the fabric softener or product.
10. Clean the lint screen before or after each load.
11. Keep the area around the exhaust opening and surrounding areas free from lint accumulation, dust and dirt.
12. The interior of the dryer and exhaust duct should be cleaned periodically by qualified service personnel.
13. This appliance must be properly grounded. Never plug the appliance cord into a receptacle which is not grounded adequately and in accordance with local and national codes. See installation instructions for grounding this appliance.
14. Do not sit on top of the clothes dryer.
15. Do not place items exposed to cooking oils in the dryer. Items contaminated with cooking oils may contribute to a chemical reaction that could cause a load to catch fire.

NOTE: Because of continuing product improvements, Maytag reserves the right to change specifications without notice. For complete details, see the Installation Instructions packed with your product before selecting cabinetry, making cutouts or beginning installation.

WARNING

Gas leaks may occur in your system and result in a dangerous situation. Gas leaks may not be detected by smell alone. Gas suppliers recommend you purchase and install an UL approved gas detector. Install and use in accordance with the manufacturer's instructions.

WARNING

Do not place into your dryer items that have been spotted or soaked with vegetable oil or cooking oil. Even after being washed, these items may contain significant amounts of these oils. The remaining oil can ignite spontaneously. The potential for spontaneous ignition increases when the items containing vegetable oil or cooking oil are exposed to heat. Heat sources, such as your clothes dryer, can warm these items, allowing an oxidation reaction in the oil to occur. Oxidation creates heat. If this heat cannot escape, the items can become hot enough to catch fire. Piling, stacking or storing these kinds of items may prevent heat from escaping and can create a fire hazard.

All washed and unwashed fabrics that contain vegetable oil or cooking oil can be dangerous. Washing these items in hot water with extra detergent will reduce, but will not eliminate, the hazard. Always use the Cool Down cycle for these items to reduce the items' temperature. Never remove these items from the clothes dryer hot or interrupt the drying cycle until the items have run through the Cool Down cycle. Never pile or stack these items when they are hot.

DRYER EXHAUST TIPS

⚠️ WARNING

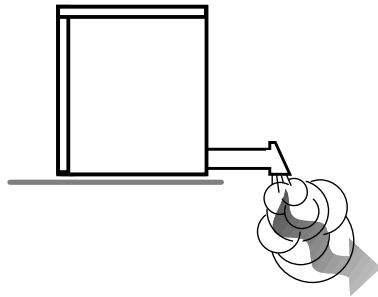
⚠️ WARNING: Plastic or nonmetal flexible duct presents a potential fire hazard.

Do

Read the installation instructions and the Use and Care Guide.

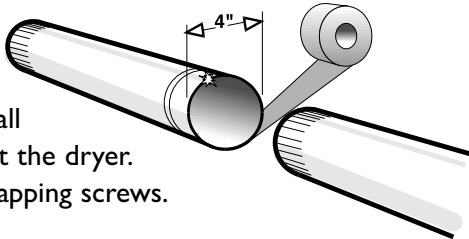
Do

Let your dryer exhaust the air easily.



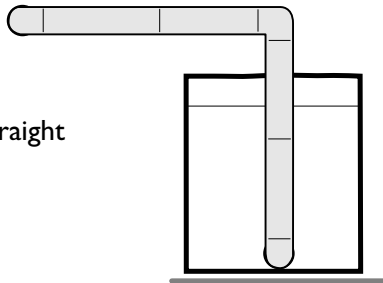
Do

Use 4 inch diameter rigid metal duct. Tape all joints, including at the dryer. Never use lint-trapping screws.



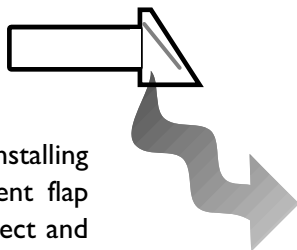
Do

Keep duct runs as straight as possible.



Do

Clean all old ducts before installing your new dryer. Be sure vent flap opens and closes freely. Inspect and clean the exhaust system annually.

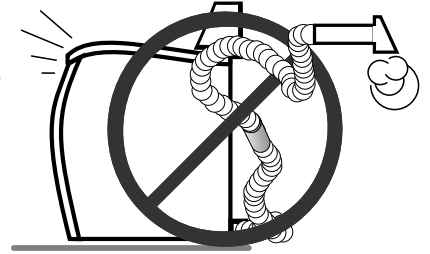


DON'T

Let a poor exhaust system cause slow drying.

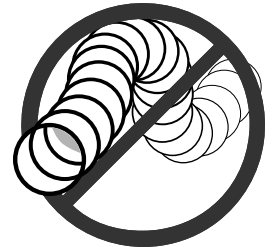
DON'T

Restrict your dryer with a poor exhaust system.



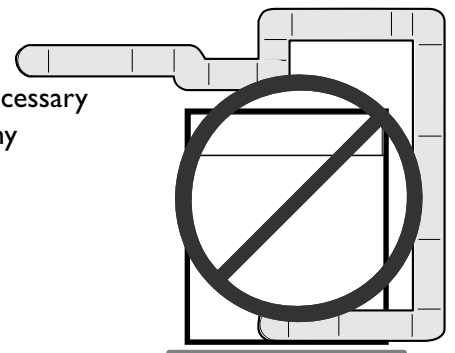
DON'T

Use plastic, thin foil, or non-metal flexible duct.



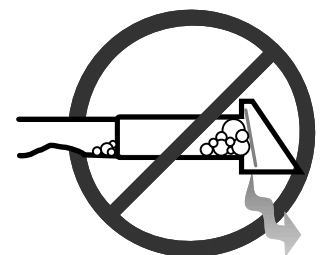
DON'T

Use longer than necessary duct runs with many elbows.



DON'T

Allow crushed or clogged ducts and vent.

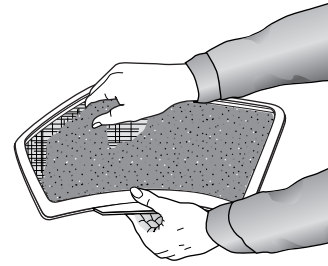


OPERATING INSTRUCTIONS

CLEAN THE LINT FILTER

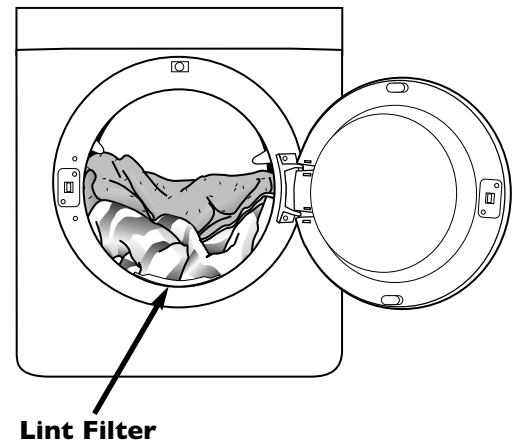
- After each load.
- To shorten drying time.
- To operate more energy efficiently.

NOTE: Do not operate the dryer without the lint filter in place.



LOAD THE DRYER PROPERLY

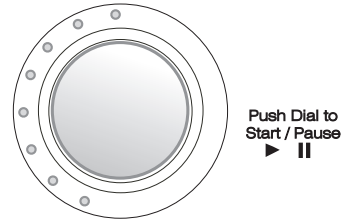
- Place only one washload in the dryer at a time.
- Mixed loads of heavy and lightweight clothes will dry differently. Lightweight clothes will dry, while heavy clothes may be damp.
- Add one or more similar items to the dryer when only one or two articles need drying. This improves the tumbling action and drying efficiency.
- Overloading restricts tumbling action, resulting in uneven drying as well as excessive wrinkling of some fabrics.



OPERATING INSTRUCTIONS

START THE DRYER

After setting the cycle and desired options, press the **Cycle Selector** dial to start the dryer. To pause the cycle, press **Cycle Selector** dial again. To restart the cycle, press **Cycle Selector** dial and the cycle will resume from the point of interruption.



TURN THE DRYER OFF

Power Off

Press the **Power Off** pad to cancel the cycle and stop the dryer.



ESTIMATED TIME DISPLAY (SELECT MODELS)

The display window shows the estimated time remaining in the cycle after the **Cycle Selector** dial is pressed. The estimated time remaining may fluctuate as the cycle progresses.



CYCLE STATUS LIGHTS (STYLE VARIES BY MODEL)

The Drying light will illuminate and remain lit until the cycle is complete. When the dryer is in the cool-down portion of the cycle, the Cooling light will illuminate.

If the Wrinkle Prevent option has been selected, the Wrinkle Prevent light will illuminate. Chasing lights will appear in the display when Wrinkle Prevent is selected (select models). See page 8.

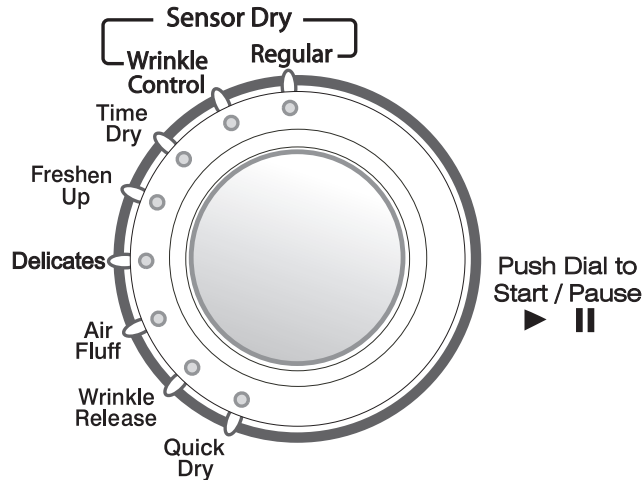
When the cycle is complete, "END" or "00" (select models) will appear in the display until the dryer door is opened.

If the dryer is paused during a cycle, the indicator lights will blink until the **Cycle Selector** dial is pressed.



USING THE CONTROLS

Control features vary by model.



Step 1

SELECT CYCLE

To select a cycle, rotate the **Cycle Selector** dial to the desired cycle. The indicator light by the cycle name will illuminate.

The Regular and Wrinkle Control cycles are Sensor Dry cycles. Sensor Dry automatically senses the moisture in the load and shuts the dryer off when the selected dryness level (very dry to damp dry) is reached.

Regular

The Regular cycle is designed to dry loads such as towels, underwear, jeans, etc.

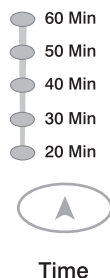
Wrinkle Control

The Wrinkle Control cycle is designed to dry wrinkle-free cottons, synthetic fabrics, knits and permanent press fabrics automatically. The cycle minimizes wrinkling by providing a longer unheated cool-down period at the end of the cycle.

NOTE: When using the Wrinkle Control Cycle, the Temperature Selection is set to a default setting to provide minimized wrinkling and can not be changed.

Time Dry

Time Dry allows you to select the desired cycle time in minutes. Turn the **Cycle Selector** dial to Time Dry, then press the **Time** up arrow to set the drying time. Press the arrow repeatedly to scroll through the time settings. To add or subtract time from the cycle, see Options-Adjust Time, page 8.



Freshen Up (select models)

A short dry cycle designed to remove odors and freshen garments.

Delicates

The Delicates cycle is designed to dry heat-sensitive items at the low drying temperature.

Air Fluff

The Air Fluff cycle tumbles the load in room temperature air.

Wrinkle Release

The Wrinkle Release cycle will release wrinkles from items that are clean and dry but only slightly wrinkled, such as from a crowded closet or suitcase or from sitting in the dryer too long after the cycle has ended. Wrinkle Release can be used with any temperature selection.

Quick Dry (select models)

Provides a 30 minute dry cycle.

USING THE CONTROLS

Step 2

SELECT DRYNESS LEVEL

To select the dryness level in the Regular or Wrinkle Control Sensor Dry cycles, press the **Sensor Dry Level** pad. An indicator light will illuminate next to the desired dryness level. Press the pad repeatedly to scroll through the settings.

Loads of larger or bulkier size may require the Very Dry (select models) or More Dry setting to completely dry the load. The Less Dry setting is best suited for lightweight fabrics or for leaving some moisture in the clothing at the end of the cycle. Damp Dry (select models) is designed to partially dry items. Use for items that lay flat or hang to dry.

- Very Dry
- More Dry
- Normal Dry
- Less Dry
- Damp Dry



Sensor Dry Level

Step 3

SELECT TEMPERATURE

To select the correct temperature for the load, press the **Temperature** pad. An indicator light will illuminate next to the desired temperature. Press the pad repeatedly to scroll through the settings.

NOTE: When using the Wrinkle Control Cycle, the Temperature Selection is set to a default setting to provide minimized wrinkling and can not be changed.

Use the chart below as a guide:

| DRYER TEMPS | LOAD TYPE |
|----------------------------------|--|
| Regular | For sturdy cottons or those labeled Tumble Dry. |
| Medium | For permanent press, synthetics, lightweight cottons or items labeled Tumble Dry Medium. |
| Low | For heat sensitive items labeled Tumble Dry Low or Tumble Dry Warm. |
| Extra Low (select models) | Provides the lowest heated dry temperature possible. |

- Regular
- Medium
- Low
- Extra Low



Temperature

USING THE CONTROLS

Step 4

SELECT OPTIONS (IF DESIRED)

Adjust Time

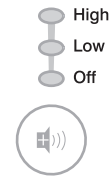
Time can be added or subtracted from the automatically set times in the Time Dry, Freshen Up (select models), Delicates, Air Fluff, Wrinkle Release or Quick Dry (select models) cycles.

To add or subtract time from the cycle, press the **Adjust Time** up or down arrow pad until the desired time is displayed.



End of Cycle Chime

When the cycle is complete, an audible chime will sound. When the Wrinkle Prevent option is selected, the chime will sound intermittently. Adjust the volume of the chime or turn it off by pressing the **Chime** pad. Press the pad repeatedly to scroll through the choices.



Chime

Wrinkle Prevent

Wrinkle Prevent provides approximately 95 minutes of intermittent tumbling in unheated air at the end of the cycle to reduce wrinkling. Press the **Wrinkle Prevent** pad to activate this feature. The indicator light above the pad will illuminate when Wrinkle Prevent is selected. Chasing lights appear in the display when the Wrinkle Prevent option is selected (select models). The load is dry and can be removed at any time during the Wrinkle Prevent cycle.



Control Lock

The control panel can be locked for safety, cleaning or to prevent unwanted use. The panel will not function when locked.

To lock the controls, press and hold the **Sensor Dry Level** and **Temperature** pads for 3 seconds. The Control Lock indicator light will illuminate.

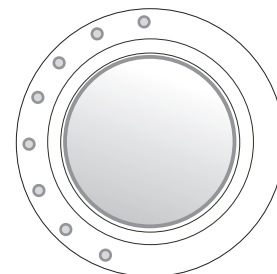
To unlock the controls, press and hold the **Sensor Dry Level** and **Temperature** pads for 3 seconds. The Control Lock indicator light will go out.



Step 5

START THE DRYER


Press the **Cycle Selector** dial to start the dryer. The dryer door must be closed for the dryer to operate. If the door is opened during the cycle, the **Cycle Selector** dial must be pushed again to resume the cycle once the door is closed.



Push Dial to Start / Pause
▶ ||

SPECIAL LAUNDRY TIPS

Please follow the care label or manufacturer's instructions for drying special items. If care label instructions are not available, use the following information as a guide.

| | |
|--|--|
| <p>Bedspreads & Comforters</p> | <ul style="list-style-type: none"> • Follow the care label instructions or dry on the Sensor Dry Regular cycle and Regular temperature. • Be sure the item is thoroughly dry before using or storing. • May require repositioning to ensure even drying. |
| <p>Blankets</p> | <ul style="list-style-type: none"> • Use Sensor Dry Regular and dry only one blanket at a time for best tumbling action. • Be sure the item is thoroughly dry before using or storing. |
| <p>Curtains & Draperies</p> | <ul style="list-style-type: none"> • Use the Sensor Dry Wrinkle Control cycle to help minimize wrinkling. • Dry these in small loads for best results and remove as soon as possible. |
| <p>Cloth Diapers</p> | <ul style="list-style-type: none"> • Use the Sensor Dry Regular cycle and the Regular temperature setting for soft, fluffy diapers. |
| <p>Down-filled Items (jackets, sleeping bags, comforters, etc.)</p> | <ul style="list-style-type: none"> • Use the Sensor Dry Regular cycle and the Low or Extra Low temperature setting. • Place a clean pair of sneakers in the dryer with the item to fluff the down comforters, etc. Adding a couple of dry towels shortens dry time and absorbs moisture. |
| <p>Foam Rubber (rug backs, stuffed toys, shoulder pads, etc.)</p> | <ul style="list-style-type: none"> • DO NOT dry on a heat setting. Use the Air Fluff cycle (no heat). •  WARNING – Drying a rubber item with heat may damage it or be a fire hazard. |
| <p>Pillows</p> | <ul style="list-style-type: none"> • Use the Sensor Dry Regular cycle. • Add a couple of dry towels and a pair of clean sneakers to help the tumbling action and to fluff the item. • DO NOT dryer-dry kapok or foam pillows. |
| <p>Plastics (shower curtains, outdoor furniture covers, etc.)</p> | <ul style="list-style-type: none"> • Use the Air Fluff cycle or the Time Dry cycle and the Low or Extra Low temperature setting depending on the care label instructions. |

AVOID DRYER DRYING

- Fiberglass items (curtains, draperies, etc.)
- Woolens, unless recommended on the label.
- Vegetable or cooking oil soaked items (see pg. 2).

CARE AND CLEANING

Control Panel – Clean with a soft, damp cloth. Do not use abrasive substances. Do not spray cleaners directly on the panel.

The control panel finish could be damaged by some laundry pre-treatment soil and stain-remover products. Apply such products away from the dryer and wipe up any spills or overspray immediately.

Tumbler – Remove any stains such as crayon, ink pen or fabric dye (from new items such as towels or jeans) with an all-purpose cleaner. Then tumble old towels or rags to remove any excess stain or cleaning substance. Once these steps are done, stains may still be visible, but should not transfer to subsequent loads.

Stainless Steel Tumbler (select models) – To clean the stainless steel tumbler, use a damp cloth with a mild, non-abrasive cleaner suitable for stainless steel surfaces. Remove the cleaner residue and then dry with a clean cloth.

Dryer Exterior – Clean with a soft, damp cloth. **Do not** use abrasive substances. Protect the surface from sharp objects.

Dryer Exhaust System – Should be inspected and cleaned once a year to maintain optimum performance. The outside exhaust hood should be cleaned more frequently to ensure proper operation. (Refer to the Installation Instructions for more information.)

REPLACE DRUM LIGHT (SELECT MODELS)

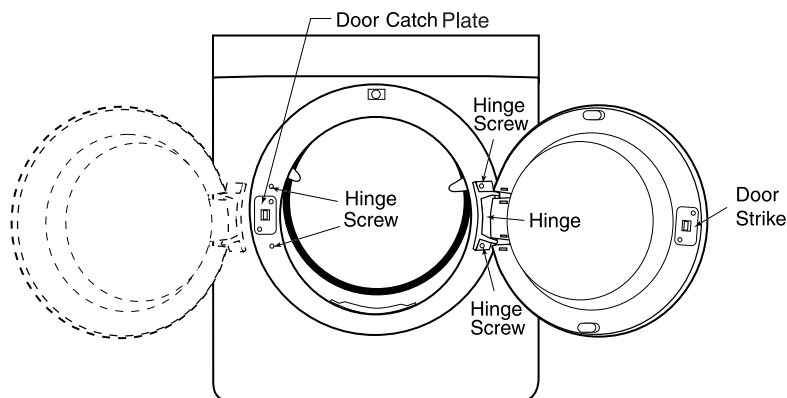
Instructions for replacing the bulb:

- 1) Unplug or disconnect the dryer from the electrical power supply.
- 2) Open the door and use a screwdriver to remove the screw attaching the light cover.
- 3) Remove light cover.
- 4) Rotate bulb counter-clockwise to remove from socket.
- 5) Replace the bulb with a 120 volt, 10 watt, E12 type light bulb.
- 6) Turn the light bulb clockwise into socket.
- 7) Replace light cover.
- 8) Reinstall the screw into the light cover screw hole.
- 9) Reconnect dryer to power supply.

REVERSE THE DOOR

Instructions for reversing the dryer door:

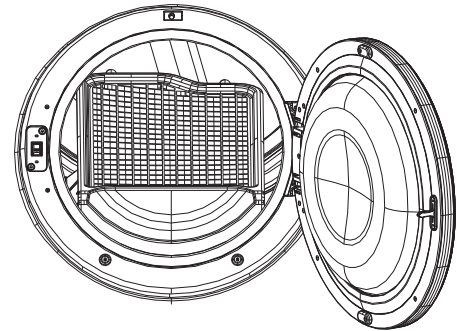
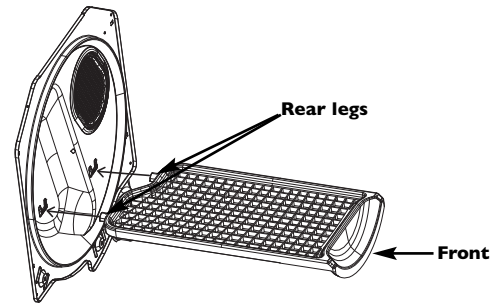
- 1) Remove 2 hinge screws holding door hinge in place.
- 2) Remove the door and lay carefully aside.
- 3) Remove 2 hinge screws on the opposite side of door hinge.
- 4) Remove 2 screws on the door catch plate.
- 5) Move door catch plate to opposite side and attach with screws.
- 6) Move the door to the opposite side and replace 2 hinge screws.
- 7) Replace 2 hinge screws in opposite holes.



DRYING RACK (SELECT MODELS)

INSTALLING THE DRYING RACK

- 1) Open dryer door.
- 2) Position drying rack in tumbler placing the two rear legs in the two recessed areas in the back wall of the dryer.
- 3) Place the front lip of the drying rack on top of the lint filter.
- 4) Place items to be dried on the rack, leaving space between them so air can reach all the surfaces.
- 5) Close the dryer door.
- 6) Use the Time Dry cycle. Select time according to moisture and weight of item. Start the dryer. It may be necessary to reset the timer if a longer drying time is needed.



SUGGESTED ITEMS

SUGGESTED TEMP. SETTINGS

| | |
|---|-------------------|
| Washable sweaters (block to shape and lay flat on rack) | Heat |
| Stuffed toys (cotton or polyester fiber filled) | Heat |
| Stuffed toys (foam or rubber filled) | Air Fluff |
| Foam rubber pillows | Air Fluff |
| Sneakers | Air Fluff or Heat |

⚠ WARNING

Drying foam rubber, plastic or rubber on a heat setting may cause damage to the item and could lead to a fire hazard.

TROUBLESHOOTING

INFORMATION CODES

Information codes may be displayed to help you better understand what is occurring with the dryer.

| Code Symbol | Meaning | Solution |
|--------------------|---|--|
| T5 | Heater temperature control problem. | Call for service, see below. |
| dC | Door open sensing problem. | Call for service, see below. |
| do | Door Open Error When the door is opened, the dryer will not operate. | Be sure the door is latched shut. If problem continues, call for service, see below. |

For any codes not listed above, call Maytag Customer Service at 1-800-688-9900 USA or 1-800-688-2002 Canada.

TROUBLESHOOTING

CHECK THESE POINTS IF YOUR MAYTAG NEPTUNE® DRYER...

| | |
|---|---|
| Doesn't Run | <ul style="list-style-type: none"> • Be sure the door is latched shut. • Be sure the power cord is plugged into a live electrical outlet. • Check the home's circuit breaker and fuses. • Press the Cycle Selector dial again if the door is opened during the cycle. |
| Doesn't Heat | <ul style="list-style-type: none"> • Check the home's circuit breaker and fuses. • Select a heat setting, not Air Fluff. • On a gas dryer, check that the gas supply is on. • Clean the lint filter and exhaust duct. • Dryer may have moved into the cool-down portion of the cycle. |
| Doesn't Dry | <ul style="list-style-type: none"> • Check all of the above, plus... • Be sure the exhaust hood at the outside of the home can open and close freely. • Check exhaust system for lint build-up. Ducting should be inspected and cleaned annually. • Use 4" rigid metal exhaust duct. • Do not overload. 1 Wash load = 1 Dryer load. • Sort heavy items from lightweight items. • Large, bulky items like blankets or comforters may require repositioning to ensure even drying. • Check that the washer is draining properly to extract adequate water from the load. • Clothes load is too small to tumble properly. Add a few towels. |
| Is Noisy | <ul style="list-style-type: none"> • Check the load for objects such as coins, loose buttons, nails, etc. Remove promptly. • It is normal to hear the dryer gas valve or heating element cycle on and off during the drying cycle. • Be sure the dryer is leveled properly as outlined in the installation manual. • It is normal for the dryer to hum due to the high velocity of air moving through the dryer drum and exhaust system. |
| Dries Unevenly | <ul style="list-style-type: none"> • Seams, pockets and other similar heavy areas may not be completely dry when the rest of the load has reached the selected dryness level. This is normal. Select the Very Dry setting if desired. • If one heavy item is dried with a lightweight load, such as one towel with sheets, it is possible that the heavy item will not be completely dry when the rest of the load has reached the selected dryness level. Sort heavy items from lightweight items for best drying results. |
| Has an Odor | <ul style="list-style-type: none"> • Household odors such as from painting, varnishing, strong cleaners, etc. may enter the dryer with the surrounding room air. This is normal as the dryer draws the air from the room, heats it, pulls it through the tumbler and exhausts it to the outside. When these odors are present in the air, ventilate the room completely before using the dryer. |
| Dryer shuts off before load is dry | <ul style="list-style-type: none"> • Clothes load is too small. Add more similar items or a few towels and restart the cycle. • Clothes load is too large. Remove some of the load and restart the dryer. |

For further assistance contact Maytag ServicesSM, Maytag Customer Assistance: 1-800-688-9900 U.S.A. or 1-800-688-2002 Canada. U.S.A. Customers using TTY for deaf, hearing impaired or speech impaired, call 1-800-688-2080.

NOTES

CLOTHES DRYER WARRANTY

Warranty

Limited One Year Warranty - Parts and Labor

For **one (1) year** from the original retail purchase date, any part which fails in normal home use will be repaired or replaced free of charge.

Canadian Residents

The above warranties only cover an appliance installed in Canada that has been certified or listed by appropriate test agencies for a compliance to a National Standard of Canada unless the appliance was brought into Canada due to transfer of residence from the United States to Canada.

*The specific warranties expressed above are the **ONLY** warranties provided by the manufacturer. These warranties give you specific legal rights, and you may also have other rights which vary from state to state.*

CUSTOMER'S SOLE AND EXCLUSIVE REMEDY UNDER THIS LIMITED WARRANTY SHALL BE PRODUCT REPAIR AS PROVIDED HEREIN. IMPLIED WARRANTIES, INCLUDING WARRANTIES OF MERCHANTABILITY OR FITNESS FOR A PARTICULAR PURPOSE, ARE LIMITED TO ONE YEAR OR THE SHORTEST PERIOD ALLOWED BY LAW. MAYTAG CORPORATION SHALL NOT BE LIABLE FOR INCIDENTAL OR CONSEQUENTIAL DAMAGES. SOME STATES AND PROVINCES DO NOT ALLOW THE EXCLUSION OR LIMITATION OF INCIDENTAL OR CONSEQUENTIAL DAMAGES, OR LIMITATIONS ON THE DURATION OF IMPLIED WARRANTIES OF MERCHANTABILITY OR FITNESS, SO THESE EXCLUSIONS OR LIMITATIONS MAY NOT APPLY TO YOU. THIS WARRANTY GIVES YOU SPECIFIC LEGAL RIGHTS AND YOU MAY ALSO HAVE OTHER RIGHTS, WHICH VARY STATE TO STATE OR PROVINCE TO PROVINCE.

What is Not Covered By These Warranties

1. Conditions and damages resulting from any of the following:
 - a. Improper installation, delivery, or maintenance.
 - b. Any repair, modification, alteration, or adjustment not authorized by the manufacturer or an authorized servicer.
 - c. Misuse, abuse, accidents, unreasonable use, or acts of God.
 - d. Incorrect electric current, voltage, electrical and/or gas supply.
 - e. Improper setting of any control.
 - f. Use of risers (pedestals) that are not Maytag branded.
2. Warranties are void if the original serial numbers have been removed, altered, or cannot be readily determined.
3. Light bulbs, water filters and air filters.
4. Products purchased for commercial or industrial use.
5. The cost of service or service call to:
 - a. Correct installation errors. For products requiring ventilation, rigid metal ducting must be used.
 - b. Instruct the user on the proper use of the product.
 - c. Transport the appliance to and from the servicer.
 - d. Correct issues related to risers that are not Maytag branded.
6. Any food loss due to refrigerator or freezer product failures.
7. Expenses for travel and transportation for product service in remote locations.
8. Outside of the United States and Canada this warranty does not apply. Contact your dealer to determine if another warranty applies.
9. Consequential or incidental damages sustained by any person as a result of any breach of these warranties. Some states do not allow the exclusion or limitation of consequential or incidental damages, so the above exclusion may not apply.

If You Need Service

First see the Troubleshooting section in your Use and Care Guide or call the dealer from whom your appliance was purchased or call Maytag Services, LLC, Customer Assistance at 1-800-688-9900 USA and 1-800-688-2002 Canada to locate an authorized servicer.

- Be sure to retain proof of purchase to verify warranty status. Refer to WARRANTY for further information on owner's responsibilities for warranty service.
- If the dealer or service company cannot resolve the problem, write to Maytag Services, LLC, Attn: CAIR® Center, P.O. Box 2370, Cleveland, TN 37320-2370, or call **1-800-688-9900 USA and 1-800-688-2002 Canada**. U.S. customers using TTY for deaf, hearing impaired or speech impaired, call 1-800-688-2080.
- User's guides, service manuals and parts information are available from Maytag Services, LLC, Customer Assistance.

Notes: When writing or calling about a service problem, please include:

- a. Your name, address and telephone number;
- b. Model number and serial number;
- c. Name and address of your dealer or servicer;
- d. A clear description of the problem you are having;
- e. Proof of purchase (sales receipt).

SÉCHEUSE MAYTAG NEPTUNE®

GUIDE

D'UTILISATION ET D'ENTRETIEN

TABLE DES MATIÈRES

| | |
|---|-------|
| Instructions de sécurité importantes | 17-18 |
| Conseils pour le circuit d'évacuation | 19 |
| Conseils d'utilisation | 20-21 |
| Utilisation des commandes | 22-24 |
| Conseils spéciaux | 25 |
| Entretien et nettoyage | 26 |
| Remplacement de l'ampoule du tambour | 26 |
| Inversion de la porte | 26 |
| Grille de séchage | 27 |
| Recherche de pannes | 28-29 |
| Garantie | 31 |
| Guía de Uso y Cuidado | 32 |

INSTRUCTIONS DE SÉCURITÉ IMPORTANTES

BIENVENUE

Bienvenue et félicitations pour votre achat d'une sècheuse Maytag Neptune®! Il est très important pour nous que vous soyez totalement satisfait. Pour l'obtention des meilleurs résultats, nous vous suggérons de lire la totalité de cette brochure pour vous familiariser avec les méthodes adéquates d'utilisation et entretien de l'appareil.

Pour tout besoin d'assistance à l'avenir :

- 1) Il sera utile de disposer immédiatement du numéro de modèle et du numéro de série de l'appareil.

Date d'achat _____

Numéro de modèle _____

Numéro de série _____

- 2) **IMPORTANT : Conserver ce guide et la facture d'achat en lieu sûr pour utilisation ultérieure. Une preuve de la date d'achat devra être présentée pour toute demande de travaux sous garantie.**

Pour toute question, téléphoner à :

Service à la clientèle de Maytag
1-800-688-2002 CANADA
(Lundi à vendredi, 8 h - 20 h, heure de l'Est)
<http://www.maytag.com>

Pour l'information sur service et garantie, voir page 31.

REMARQUE : Dans le cadre de nos pratiques d'amélioration constantes de la qualité de nos appareils, des modifications peuvent être introduites sur les appareils sans que cela donne lieu à une révision de ce guide.

Ce qu'il faut savoir à propos des consignes de sécurité

Les consignes de sécurité et les mises en garde présentées dans ce manuel ne couvrent pas toutes les situations possibles. Faire preuve de jugement, de prudence et d'attention lors de l'installation, de l'entretien et de l'utilisation du propriétaire.

Lorsque survient un problème ou une situation inhabituelle, toujours communiquer avec le détaillant, le distributeur, le technicien agréé ou le fabricant.

Reconnaissez les étiquettes, phrases ou symboles sur la sécurité

AVERTISSEMENT

AVERTISSEMENT : Risques ou pratiques non sûres, qui **POURRAIENT** résulter en de graves blessures ou même la mort.

ATTENTION

ATTENTION : Risques ou pratiques non sûres qui **POURRAIENT** résulter en blessures mineures.

AVERTISSEMENT

AVERTISSEMENT : Pour leur sécurité, les utilisateurs doivent se conformer aux instructions de ce manuel pour minimiser les risques d'incendie ou explosion et pour éviter dommages matériels, dommages corporels ou accident mortel.

- Ne jamais remiser ou utiliser de l'essence ou un autre produit liquide ou gazeux inflammable au voisinage de cet appareil ou de tout autre appareil.

QUE FAIRE SI L'ON SENT UNE ODEUR DE GAZ :

- Ne mettre aucun appareil en marche.
- Ne pas toucher à un interrupteur électrique.
- N'utiliser aucun téléphone de l'immeuble.
- Demander à tous les occupants de quitter la pièce, le bâtiment ou le secteur.
- Se rendre chez un voisin et téléphoner immédiatement à la compagnie de gaz. Suivre les directives données par le préposé de la compagnie de gaz.
- S'il est impossible de joindre la compagnie de gaz, téléphoner au service des incendies.

L'installation et les réparations doivent être confiées à un installateur compétent, à une entreprise de service ou à la compagnie de gaz.

CONSERVER CES INSTRUCTIONS

INSTRUCTIONS DE SÉCURITÉ IMPORTANTES

AVERTISSEMENT

Pour minimiser les risques d'incendie, explosion, de choc électrique, dommages matériels ou blessures lors de l'utilisation de l'appareil, appliquer les précautions fondamentales, dont les suivantes.

1. Lire la totalité des instructions avant d'utiliser l'appareil.
2. Pour éviter incendie ou explosion :
 - a. Ne pas soumettre au séchage un article qui a été précédemment nettoyé, lavé, trempé ou taché avec essence, solvant de nettoyage à sec ou autre substance inflammable ou explosive – ces produits peuvent émettre des vapeurs susceptibles de s'enflammer ou d'exploser. Ne jamais placer dans la sècheuse un article sur lequel on a utilisé un solvant de nettoyage ou qui a été saturé par un liquide ou solide inflammable avant d'avoir pu éliminer toute trace de ces produits liquides ou solides inflammables et des vapeurs qu'ils émettent. On trouve dans toute résidence de nombreux produits très inflammables comme acétone, alcool dénaturé, essence, kérosène, certains produits liquides d'entretien ménager, certains détachants, térébenthine, cire et produits de décapage de la cire.
 - b. Ne jamais faire sécher avec chauffage des articles contenant du caoutchouc mousse (parfois appelé mousse de latex) ou autres articles à texture caoutchouteuse similaire. Dans certaines circonstances un article à base de caoutchouc mousse peut s'enflammer spontanément sous l'effet de la chaleur.
3. Ne jamais laisser des enfants jouer avec ou sur l'appareil. Il convient de superviser attentivement les enfants lorsque l'appareil est utilisé en leur présence.
4. Avant de retirer l'appareil du service ou de le mettre au rebut, démonter la porte du compartiment de séchage.
5. Ne pas introduire une main dans l'appareil lorsque le tambour est en mouvement.
6. Ne pas installer ou remiser cet appareil en un endroit où il serait exposé aux intempéries.
7. Ne pas circonvier les organes de commande.
8. Ne réparer ou remplacer aucun composant de cet appareil; on ne doit entreprendre aucune opération d'entretien qui n'est pas

spécifiquement recommandée dans des instructions de réparation publiées à l'intention des utilisateurs, ou que l'intervenant ne serait pas en mesure d'exécuter parfaitement.

9. Ne pas utiliser un assouplissant de tissu ou produit similaire pour éliminer les charges statiques, sauf si le fabricant du produit en recommande l'emploi dans une sècheuse.
10. Nettoyer le tamis à charpie avant ou après chaque utilisation.
11. Veiller à ce que la zone voisine de l'ouverture de décharge demeure exempte d'accumulation de charpie, poussière et souillures.
12. Faire nettoyer périodiquement l'intérieur de la sècheuse et le conduit d'évacuation par un technicien qualifié.
13. Il faut que cet appareil soit convenablement relié à la terre. Ne jamais brancher l'appareil dans une prise de courant qui n'est pas adéquatement reliée à la terre conformément aux prescriptions des codes local et national des installations électriques. Voir les instructions d'installation concernant la liaison à la terre de cet appareil.
14. On ne doit jamais s'asseoir sur la sècheuse.
15. Ne placez pas les articles exposés aux huiles de cuisine dans votre dessiccateur. Les articles souillés avec les huiles de cuisine peuvent contribuer à une réaction chimique qui pourrait faire attraper une charge le feu.

REMARQUE : En raison des améliorations apportées régulièrement à ses produits, Maytag se réserve le droit de modifier les spécifications sans préavis. Pour de plus amples renseignements, consulter les instructions d'installation incluses avec votre appareil avant de choisir des meubles de rangement, de faire du découpage ou de commencer l'installation.

AVERTISSEMENT

Il peut se produire dans votre système une fuite de gaz créant une situation dangereuse. Il n'est pas toujours possible de détecter les fuites de gaz à l'odeur. Les fournisseurs de gaz recommandent l'achat et la pose d'un détecteur de gaz homologué UL. Poser et utiliser l'appareil conformément aux indications du fabricant.

AVERTISSEMENT

Ne jamais placer dans la sècheuse un article qui aurait été taché ou trempé avec de l'huile végétale ou de l'huile de cuisson. Même après lavage, ces articles peuvent contenir une quantité résiduelle significative de ces huiles. Le résidu d'huile peut s'enflammer spontanément. Le risque d'inflammation spontanée augmente lorsque l'article est exposé à la chaleur. Une source de chaleur, comme le séchage, peut provoquer une augmentation de la température de ces articles et déclencher une réaction d'oxydation de l'huile. Par lui-même le processus d'oxydation est générateur de chaleur; si cette chaleur ne peut s'échapper, l'article peut s'échauffer suffisamment pour pouvoir s'enflammer. Lorsqu'on remise ou empile ces articles, ceci peut empêcher l'évacuation de la chaleur et susciter un risque d'incendie.

Tout textile lavé ou non lavé qui contient de l'huile végétale ou de l'huile de cuisson peut être dangereux. Le lavage de ces articles à l'eau chaude avec une quantité additionnelle de détergent peut réduire le risque, mais sans l'éliminer. On doit toujours utiliser le cycle de refroidissement pour réduire la température de ces articles; ne jamais retirer ces articles de la sècheuse alors qu'ils sont chauds, ou interrompre le séchage avant que le refroidissement programmé n'ait été exécuté. Ne jamais empiler ces articles lorsqu'ils sont chauds.

CONSEILS POUR LE CIRCUIT D'EVACUATION

⚠ AVERTISSEMENT

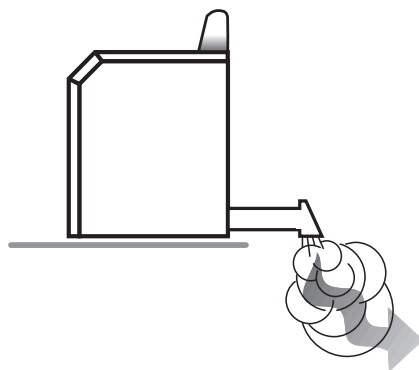
⚠ AVERTISSEMENT : Un conduit flexible, plastique ou non métallique suscite un risque d'incendie.

À FAIRE

Lire les instructions d'installation et le Guide de l'utilisateur.

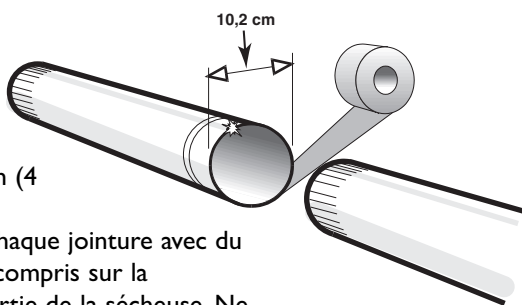
À FAIRE

Permettre à la sècheuse d'évacuer facilement l'air humide.



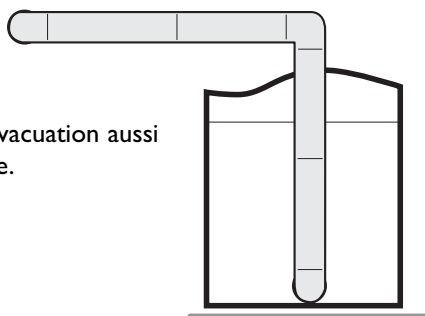
À FAIRE

Utiliser du conduit métallique rigide de 10,2 cm (4 pouces). Réaliser l'étanchéité de chaque jointure avec du ruban adhésif, y compris sur la connexion de sortie de la sècheuse. Ne jamais utiliser des vis, qui retiendraient des charpies.



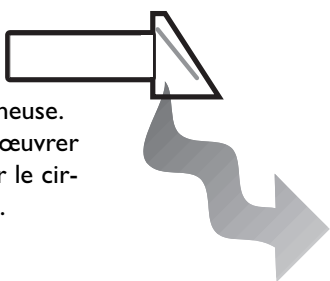
À FAIRE

Utiliser un circuit d'évacuation aussi rectiligne que possible.



À FAIRE

Nettoyer tout vieux conduit avant d'installer la nouvelle sècheuse. Vérifier que le clapet peut manœuvrer librement. Inspecter et nettoyer le circuit d'évacuation chaque année.

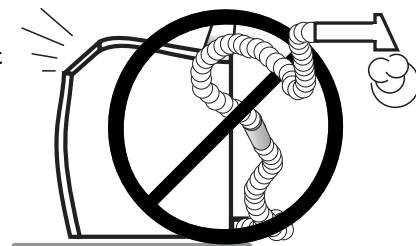


À NE PAS FAIRE

Permettre à un circuit d'évacuation médiocre de ralentir le processus de séchage.

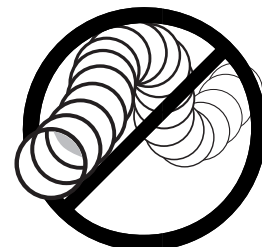
À NE PAS FAIRE

Entraver le fonctionnement de la sècheuse avec un circuit d'évacuation médiocre.



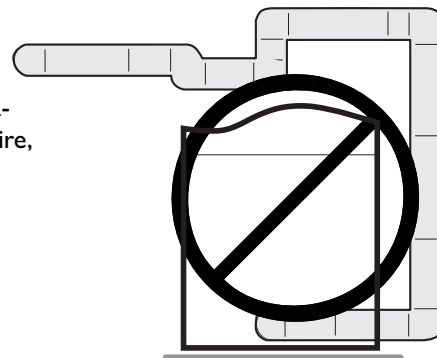
À NE PAS FAIRE

Utiliser un conduit d'évacuation de plastique ou de métal mince, ou un conduit flexible non métallique.



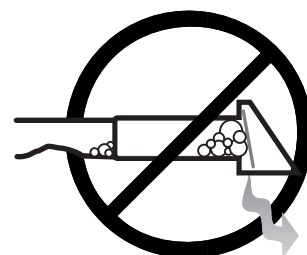
À NE PAS FAIRE

Utiliser un circuit d'évacuation plus long que nécessaire, comportant de nombreux coudes.



À NE PAS FAIRE

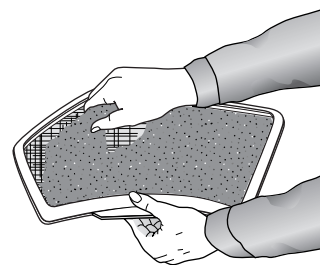
Tolérer un circuit d'évacuation comportant un composant ou conduit écrasé ou obstrué.



CONSEILS D'UTILISATION

NETTOYAGE DU FILTRE À CHARPIE

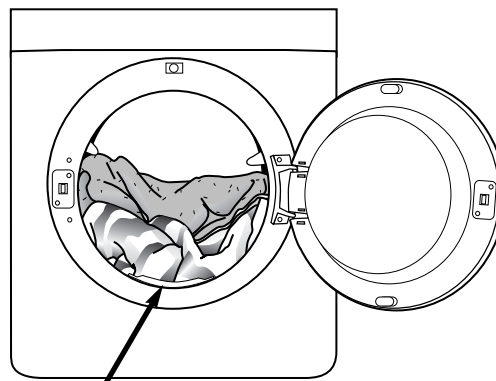
- Après chaque séchage.
- Pour raccourcir la durée de séchage.
- Pour un fonctionnement plus efficace en énergie.



REMARQUE : N'utilisez pas la sècheuse sans le filtre à charpie en place.

CHARGEMENT APPROPRIÉ DE LA SÈCHEUSE

- Placez seulement le linge d'une charge de lavage à la fois dans la sècheuse.
- Le mélange d'articles lourds et légers ne donnera pas un séchage uniforme. Les articles légers seront secs tandis que les articles lourds seront humides.
- Ajoutez un ou plusieurs articles quand vous n'avez que un ou deux articles à sécher. Ceci améliore l'efficacité du culbutage et du séchage.
- Un chargement trop important réduit le culbutage, d'où un séchage irrégulier et un froissement excessif de certains tissus.

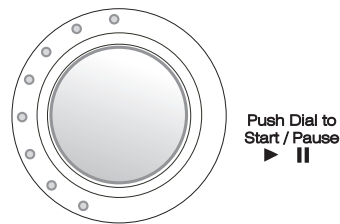


Filtre à charpie

CONSEILS D'UTILISATION

MISE EN MARCHÉ DE LA SÈCHEUSE

Après avoir choisi le cycle et les options, appuyez sur le **sélecteur** pour démarrer la sècheuse. Pour mettre le cycle en pause, appuyez à nouveau sur le **sélecteur**. Pour relancer le cycle, appuyez sur le **sélecteur** et le cycle reprendra là où il a été interrompu.



ARRÊT DE LA SÈCHEUSE

Arrêt

Appuyez sur la touche **Power Off** (Arrêt) pour annuler le cycle et arrêter la sècheuse



AFFICHAGE DE LA DURÉE ESTIMÉE (certains modèles)

L'afficheur indique la durée estimée restant dans le cycle après avoir appuyé sur le **sélecteur**. Cette durée peut varier au fur et à mesure de la progression du cycle.



TÉMOINS DE STATUT DE CYCLE (le caractéristiques varient par le modèle)

Le témoin Drying (Séchage) s'allume et reste allumé tant que le cycle n'est pas terminé. Lorsque la sècheuse atteint la partie refroidissement du cycle, le témoin Cooling (Refroidissement) s'allume.

Si l'option antifroissement a été choisie, le témoin Wrinkle Prevent (Antifroissement) s'allume. Chasser des lumières apparaîtra dans l'affichage quand la ride empêchent est choisie (certains modèles). Voir la page 24.

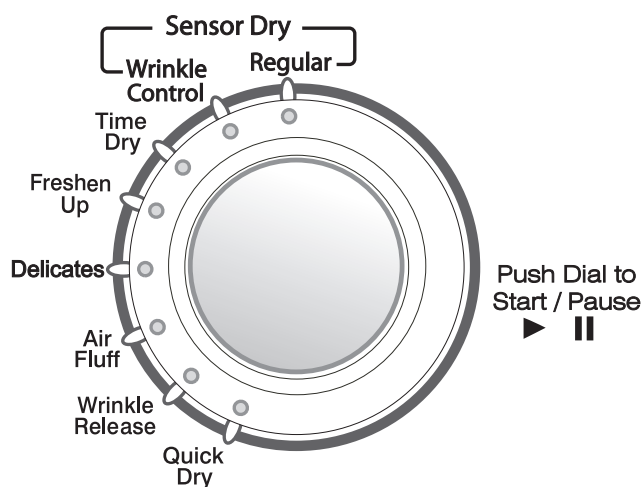
Lorsque le cycle est terminé, le mot « End » (Fin) ou "00" (certains modèles) paraît à l'afficheur tant que la porte n'est pas fermée.

Si la sècheuse est mise en pause lors d'un cycle, les témoins clignotent jusqu'au moment où vous appuyez sur le sélecteur.



UTILISATION DES COMMANDES

Les caractéristiques des commandes varient selon le modèle.



Étape 1

SÉLECTION DE CYCLE

Pour choisir un cycle, tournez le **sélecteur** jusqu'au cycle désiré. Le voyant près du cycle sélectionné s'allume.

Les cycles Regular (Standard) et Wrinkle Control (Antifroissement) sont des cycles de séchage avec capteur. Le réglage Sensor Dry (Séchage avec capteur) détecte l'humidité dans le linge et arrête la sècheuse lorsque le niveau de séchage choisi (très sec à sec humide) est atteint.

Standard (Regular)

Ce cycle est prévu pour sécher des serviettes, sous-vêtements, jeans, etc.

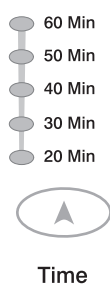
Antifroissement (Wrinkle Control)

Ce cycle est prévu pour le séchage automatique des cotons, tissus synthétiques, tricots et autres tissus infroissables. Il réduit au minimum le froissement en fournissant une période de refroidissement sans chaleur plus longue à la fin du cycle.

REMARQUE : Lorsque vous utilisez le cycle de contrôle du froissage, la sélection de température est réglée par défaut pour fournir un froissage réduit et ne peut pas être changée.

Séchage minuté (Time Dry)

Ce réglage Time Dry (Séchage minuté) vous permet de choisir la durée désirée du cycle en minutes. Tournez le **sélecteur** sur Time Dry, puis appuyez sur la flèche au-dessus de **Time** (Durée) pour choisir la durée de séchage. Appuyez plusieurs fois pour faire défiler les différentes durées. Pour ajouter ou soustraire le temps du cycle, voyez Option-Pour ajuster le temps, la page 24.



Rafraîchissement (Freshen Up) (certains modèles)

Ce cycle Freshen Up (Rafraîchissement) court est prévu pour enlever les odeurs et rafraîchir les vêtements.

Linge délicat (Delicates)

Ce cycle Delicates (Linge délicat) est prévu pour le séchage à la température la plus basse des articles sensibles à la chaleur.

Duvetage (Air Fluff)

Ce cycle Air Fluff (Duvetage) donne un culbutage à la température ambiante.

Défroissage (Wrinkle Release)

Ce cycle Wrinkle Release (Défroissage) permet de défroisser des articles propres et secs, mais légèrement froissés comme ceux provenant d'une armoire trop encombrée, d'une valise trop remplie ou s'ils sont restés trop longtemps dans la sècheuse après un séchage. Le défroissage peut être utilisé à n'importe quelle température.

Séchage rapide (Quick Dry) (certains modèles)

Ce réglage Quick Dry (Séchage rapide) donne 30 minutes de séchage.

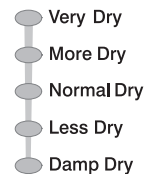
UTILISATION DES COMMANDES

Étape 2

SÉLECTION DU DEGRÉ DE SÉCHAGE

Pour choisir le niveau de séchage lors des cycles de séchage standard ou antifroissement, appuyez sur la touche **Sensor Dry Level** (Niveau de séchage par capteur). Un témoin près du niveau de séchage désiré s'allume. Appuyez sur la touche plusieurs fois pour faire défiler les réglages.

Le séchage complet de gros articles ou de volumes importants de linge peut nécessiter le réglage Very Dry (Très sec) ou More Dry (Plus sec). Le réglage Less Dry (Moins sec) convient mieux aux tissus légers ou bien pour laisser une certaine humidité dans les vêtements à la fin du cycle. Sec humide (certains modèles) est conçu pour sécher partiellement des articles. Utilisation pour les articles qui étendent l'appartement ou accrochent pour sécher.



Sensor Dry Level

Étape 3

SÉLECTION DE LA TEMPÉRATURE

Pour choisir la bonne température, appuyez sur la touche **Temperature**. Un témoin s'allume au niveau de la température désirée. Appuyez sur la touche plusieurs fois pour faire défiler les réglages.

REMARQUES : Lorsque vous utilisez le cycle de contrôle du froissage, la sélection de température est réglée par défaut pour fournir un froissage réduit et ne peut pas être changée.



Temperature

Utilisez comme guide le tableau ci-dessous :

| TEMP. DE SÉCHAGE | LINGE |
|---|--|
| Regular (Normale) | Cotons robustes ou ceux portant une étiquette avec Séchage par culbutage. |
| Medium (Moyenne) | Cotons légers, tissus synthétiques, à pressage permanent ou ceux portant une étiquette avec Séchage par culbutage (temp. moyenne). |
| Low (Basse) | Articles sensibles à la chaleur portant une étiquette avec Séchage par culbutage (temp. basse) ou (temp. moyenne). |
| Extra Low (Extra basse) (certains modèles) | Donne la température la plus basse possible. |

UTILISATION DES COMMANDES

Étape 4

SÉLECTION DES OPTIONS (LE CAS ÉCHÉANT)

Réglage de la durée

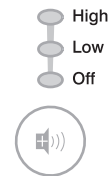
La durée automatiquement programmée des cycles Séchage minuté, Rafrâchissement, Linge délicat, Duvetage, Défroissage ou Séchage rapide (certains modèles) peut être prolongée ou réduite.

Pour augmenter ou réduire la durée d'un cycle, appuyez sur la touche **Adjust Time** (Réglage de la durée) dans un sens ou dans l'autre jusqu'à l'affichage de la durée désirée.



Signal sonore de fin de cycle

Quand le cycle est terminé, un signal sonore retentit. Avec l'option Antifroissement, le signal retentit par intermittence. Réglez le volume du signal ou arrêtez-le en appuyant sur la touche **Chime** (Signal sonore). Appuyez sur la touche plusieurs fois pour faire défiler les choix.



Antiplis

Cette option Wrinkle Prevent (Antiplis) donne environ 95 minutes de culbutage intermittent dans de l'air non chauffé à la fin du cycle, pour réduire les faux plis. Appuyez sur la touche **Wrinkle Prevent** (Antiplis) pour activer cette option. Le témoin au-dessus de la touche s'allume lorsque l'option antiplis est choisie. Chasser des lumières apparaîtra dans l'affichage quand la (Antiplis) est choisie (certains modèles). La charge est sèche et peut être enlevée à tout moment pendant la (Antiplis) le cycle.

Chime



Verrouillage des commandes

Le tableau de commande peut être verrouillé pour la sécurité, le nettoyage ou pour empêcher l'emploi non autorisé. Le tableau ne fonctionne pas s'il est verrouillé.

Pour verrouiller les commandes, appuyez pendant 3 secondes sur les touches **Sensor Dry Level** (Niveau de séchage) et **Temperature**. Le témoin correspondant s'allume.

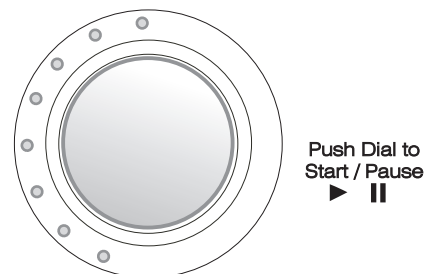
Pour déverrouiller les commandes, appuyez pendant 3 secondes sur les touches **Sensor Dry Level** (Niveau de séchage) et **Temperature**. Le témoin correspondant s'éteint.



Étape 5

MISE EN MARCHÉ DE LA SÉCHEUSE

Appuyez sur le **sélecteur** pour mettre la sècheuse en marche. Sa porte doit être fermée. Si vous ouvrez la porte lors d'un cycle, il vous faudra appuyer à nouveau sur le **sélecteur** après avoir refermé la porte pour que le cycle continue.



Push Dial to Start / Pause
▶ ||

CONSEILS SPÉCIAUX

Pour le séchage d'articles spéciaux, procédez conformément aux instructions du fabricant ou de l'étiquette d'entretien. Si l'étiquette d'entretien n'est pas disponible, utilisez l'information qui suit.

| | |
|---|---|
| Couvre-lits et édredons | <ul style="list-style-type: none">• Suivez les instructions indiquées sur l'étiquette ou séchez au cycle Sensor Dry (Séchage avec capteur) standard avec la température normale.• Vérifiez que les articles sont parfaitement secs avant de les utiliser ou de les ranger.• Il peut être nécessaire de redistribuer le linge pour qu'il sèche uniformément. |
| Couvertures | <ul style="list-style-type: none">• Choisissez le cycle Sensor Dry (Séchage avec capteur) standard et ne séchez qu'une couverture à la fois pour un meilleur culbutage.• Vérifiez que l'article est parfaitement sec avant de l'utiliser ou de le ranger. |
| Rideaux et tentures | <ul style="list-style-type: none">• Choisissez le cycle Sensor Dry (Séchage avec capteur) Antifroissement pour aider à minimiser les faux plis.• Séchez ces articles en petites quantités pour obtenir le meilleur résultat. Retirez-les de la sècheuse dès que possible. |
| Couches en tissu | <ul style="list-style-type: none">• Choisissez le cycle Sensor Dry (Séchage avec capteur) standard et une température normale pour obtenir des couches souples et douces. |
| Articles garnis de duvet (anoraks, sacs de couchage, couvre-lits, etc.) | <ul style="list-style-type: none">• Choisissez le cycle Sensor Dry (Séchage avec capteur) standard et une température très basse.• Placez dans la sècheuse avec l'article une paire de chaussures de gymnastique propres pour optimiser le duvetage des articles garnis de duvet, etc. Ajoutez quelques serviettes sèches pour réduire le temps de séchage et absorber l'humidité. |
| Caoutchouc mousse (endos de tapis, jouets en peluche, épaulettes, etc.) | <ul style="list-style-type: none">• Effectuez le séchage SANS CHALEUR. Choisissez le cycle Duvetage (sans chaleur).• ⚠ AVERTISSEMENT – Le séchage d'articles en caoutchouc à la chaleur leur fait subir des dommages et suscite un risque d'incendie. |
| Oreillers | <ul style="list-style-type: none">• Choisissez le cycle Sensor Dry (Séchage avec capteur) standard.• Ajoutez deux ou trois serviettes sèches et une paire de chaussures de gymnastique propres pour optimiser l'action de culbutage et faciliter le duvetage de l'article.• NE mettez PAS dans la sècheuse des oreillers en mousse ou kapok. |
| Matières plastiques (rideaux de douche, housses et nappes de mobiliers extérieurs, etc.) | <ul style="list-style-type: none">• Choisissez le cycle Duvetage ou le cycle Séchage minuté avec une température très basse selon les instructions données sur l'étiquette. |

ÉVITEZ LE SURSÉCHAGE

- Articles à base de fibres de verre (rideaux, tentures, etc.).
- Lainages (sauf si les indications de l'étiquette le permettent).
- Articles imbibés d'huile végétale ou de cuisson (voir page 18).

ENTRETIEN ET NETTOYAGE

Tableau de commande – Nettoyez avec un linge souple et humide. N'utilisez pas un produit abrasif. Ne pulvérisez pas directement sur le tableau de commande de produits de nettoyage.

Certains détachants et produits de prétraitement de la lessive peuvent endommager le fini du tableau de commande. N'appliquez pas de tels produits près de la sécheuse. Essuyez immédiatement les éclaboussures.

Tambour – Enlevez les taches telles que crayon, encre à stylo ou teinture (d'articles neufs comme les serviettes de toilette ou les jeans) à l'aide d'un nettoyant tout usage. Puis, ajoutez de vieilles serviettes ou chiffons dans le tambour pour enlever tout nettoyant ou taches. Une fois ces étapes réalisées, les taches seront peut-être encore visibles, mais sans risque qu'elles ne déteignent lors des séchages suivants.

Tambour en acier inoxydable (certains modèles) – Pour nettoyer le tambour en acier inoxydable, utilisez un linge humide et un nettoyant doux non abrasif convenant aux surfaces en acier inoxydable. Enlevez les résidus du nettoyant, puis séchez avec un linge propre.

Extérieur de la sécheuse – Nettoyez avec un linge doux et humide. **N'utilisez pas** de substances abrasives. Protégez la surface des objets comportant des arêtes vives.

Système d'évacuation de la sécheuse – Doit être inspecté et nettoyé une fois par an pour maintenir des performances optimales. La bouche d'évacuation extérieure doit être nettoyée plus fréquemment afin d'assurer un bon fonctionnement. (Reportez-vous aux instructions d'installation pour obtenir plus d'informations.)

REMPACEMENT DE L'AMPOULE DU TAMBOUR (CERTAINS MODÈLES)

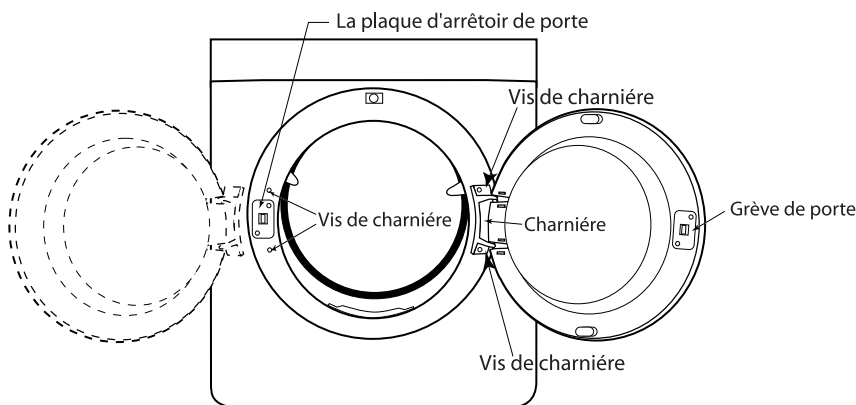
Instructions pour remplacer l'ampoule :

- 1) Débranchez la sécheuse de l'alimentation électrique.
- 2) Ouvrez la porte et, à l'aide d'un tournevis, enlevez la vis fixant le cabochon.
- 3) Retirez le cabochon.
- 4) Tournez l'ampoule à gauche pour la retirer de la douille.
- 5) Remplacez l'ampoule par une ampoule de 120 volts, 10 watts, type E12.
- 6) Tournez l'ampoule à droite dans la douille.
- 7) Remettez le cabochon.
- 8) Réinstallez la vis à sa place.
- 9) Rebranchez la sécheuse à l'alimentation électrique.

INVERSION DE LA PORTE

Instructions pour renverser la porte de dessiccateur :

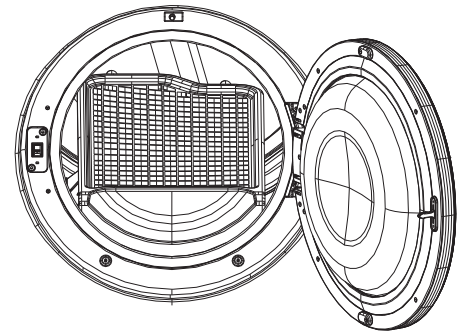
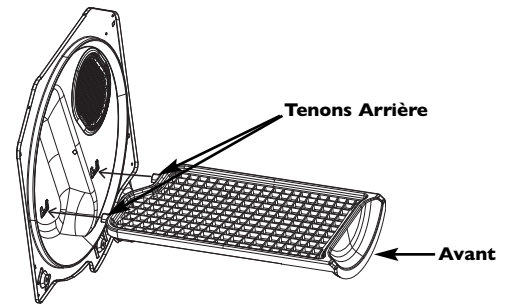
- 1) Enlevez les 2 vis de charnière retenant la charnière en place.
- 2) Enlevez la porte et posez-la soigneusement à côté.
- 3) Enlevez les 2 vis de charnière du côté opposé de la charnière.
- 4) Enlevez les 2 vis de la plaque d'arrêt de porte.
- 5) Déplacez la plaque d'arrêt de porte de l'autre côté et fixez-la avec les vis.
- 6) Changez la porte de côté et remettez les 2 vis de charnière.
- 7) Remettez les 2 vis de charnière dans les trous opposés.



GRILLE DE SÉCHAGE (CERTAINS MODÈLES)

INSTALLATION DE LA GRILLE DE SÉCHAGE

- 1) Ouvrez la porte de la sècheuse.
- 2) Placez la grille de séchage dans le tambour avec ses deux tenons arrière dans les deux parties en retrait de la paroi arrière de la sècheuse.
- 3) Placez le rebord avant de la grille sur le dessus du filtre à charpie.
- 4) Disposez les articles à sécher sur la grille, en laissant assez de place entre eux pour que l'air atteigne toutes les surfaces.
- 5) Fermez la porte de la sècheuse.
- 6) Choisissez le cycle de séchage minuté et la durée correspondant à l'humidité et au poids de l'article. Mettez la sècheuse en marche. Il pourra être nécessaire de reprogrammer la minuterie si vous désirez une durée de séchage plus longue.



ARTICLES SUGGÉRÉS

RÉGLAGES DE TEMP. SUGGÉRÉS

| | |
|--|---------------------|
| Chandails lavables (remettez en forme et étendez à plat sur la grille) | Chaleur |
| Jouets en peluche (garnis de fibres polyester ou coton) | Chaleur |
| Jouets en peluche (garnis de mousse ou de caoutchouc) | Duvetage |
| Oreillers en caoutchouc mousse | Duvetage |
| Chaussures de gymnastique | Duvetage ou chaleur |




⚠ AVERTISSEMENT

Le séchage des articles en caoutchouc, plastique ou caoutchouc mousse à la chaleur peut les endommager et entraîner un risque d'incendie.

RECHERCHE DE PANNES

CODES D'INFORMATIONS

Les codes d'information peuvent être affichés pour aider à mieux comprendre ce qui se passe dans la sècheuse.

| Symbole (code) | Signification | Solution |
|---|--|--|
|  | Problème de commande de température de réchauffeur. | Appelez le service après-vente (ci-dessous). |
|  | Problème de sensation non résolu de porte. | Appelez le service après-vente (ci-dessous). |
|  | L'erreur ouverte de porte quand la porte est ouverte, le dessiccateur ne fonctionnera pas. | Soyez sûr que la porte est verrouillée a fermé. Si le problème continue, réclamez le service, voient ci-dessous. |

Pour tout code non énuméré ci-dessus, contacter sans frais le service-client Maytag ServicesSM au 1-800-688-2002.

RECHERCHE DE PANNES

VÉRIFIEZ CES POINTS AVEC VOTRE SÉCHEUSE MAYTAG® NEPTUNE...

| | |
|--|--|
| Ne fonctionne pas | <ul style="list-style-type: none">• Vérifiez que la porte est bien fermée.• Vérifiez que le cordon est branché dans une prise sous tension.• Vérifiez les fusibles et le disjoncteur de la résidence.• Appuyez une autre fois sur le sélecteur si la porte a été ouverte pendant le cycle. |
| Ne chauffe pas | <ul style="list-style-type: none">• Vérifiez les fusibles et le disjoncteur de la résidence.• Choisissez un cycle de séchage avec chaleur, pas duvetage à l'air.• Dans le cas d'une sécheuse à gaz, vérifiez que l'alimentation de gaz est ouverte.• Nettoyez le filtre à charpie et le conduit d'évacuation.• La sécheuse en est peut-être à la phase de refroidissement du cycle. |
| Ne sèche pas | <ul style="list-style-type: none">• Vérifiez tout ce qui a été mentionné ci-dessus, plus...• Vérifiez que la bouche d'évacuation à l'extérieur de la maison peut s'ouvrir et se fermer librement.• Recherchez l'accumulation de charpie dans le circuit d'évacuation. Inspectez et nettoyez le circuit au moins chaque année.• Utilisez un conduit métallique rigide de 4 pouces (10,2 cm).• Ne chargez pas excessivement la sécheuse. 1 charge de lavage = 1 charge de séchage.• Triez le linge – séparez les articles lourds des articles légers.• Les articles volumineux comme les couvertures et les couvre-lits peuvent avoir à être redispesés pour assurer un séchage uniforme.• Vérifiez que l'évacuation de la laveuse permet d'extraire suffisamment d'eau du linge.• Charge de linge trop petite pour un culbutage adéquat. Ajoutez quelques serviettes. |
| Est bruyante | <ul style="list-style-type: none">• Recherchez dans la charge de linge des objets comme des pièces de monnaie, des clous, des boutons, etc. Enlevez immédiatement ces articles.• Il est normal que vous entendiez le fonctionnement intermittent de l'élément chauffant ou de la soupape à gaz pendant le séchage.• Assurez-vous que la sécheuse est bien de niveau, comme il est expliqué dans le manuel d'installation.• Il est normal que la sécheuse émette un bourdonnement provenant du mouvement rapide de l'air dans le tambour et le système d'évacuation. |
| Sèche irrégulièrement | <ul style="list-style-type: none">• Les coutures, les poches et autres parties semblables du linge peuvent ne pas être parfaitement sèches alors que le reste du linge a déjà atteint le niveau de séchage sélectionné. Ceci est normal. Choisissez le réglage « Très sec » (Very Dry), si vous le désirez.• Si vous séchez un article lourd en même temps que des articles légers, comme une serviette en présence de draps, il est possible que l'article lourd ne soit pas complètement sec lorsque le reste a atteint le niveau de séchage choisi. Pour obtenir les meilleurs résultats, séparez les articles lourds des articles légers. |
| Dégage une odeur | <ul style="list-style-type: none">• Les odeurs imputables de peinture, de vernis, de produits de nettoyage énergiques, etc. peuvent s'introduire dans la sécheuse avec l'air ambiant. Ceci est normal - la sécheuse aspire l'air de la pièce, le chauffe, le fait circuler à travers le tambour et le rejette à l'extérieur. Si ces odeurs sont présentes dans l'air, aérez adéquatement la pièce avant d'utiliser la sécheuse. |
| S'arrête avant que le linge ne soit sec | <ul style="list-style-type: none">• Charge de linge trop petite. Ajoutez quelques articles semblables ou serviettes de toilette et relancez le cycle.• Charge de linge trop grande. Enlevez une partie du linge et relancez le cycle. |

Pour une demande d'assistance, contacter sans frais le service à la clientèle de Maytag au 1-800-688-2002.

REMARQUES

GARANTIE DE LA SÉCHEUSE

Garantie

Garantie limitée d'un an - pièces et main-d'œuvre

Durant une période d'un (1) an à compter de la date de l'achat initial, toute pièce qui se révélerait défectueuse dans les conditions normales d'usage ménager sera réparée ou remplacée gratuitement.

Résidents du Canada

Les garanties ci-dessus couvrent un appareil installé au Canada seulement s'il a été agréé par les agences de test habilitées (vérification de la conformité à une norme nationale du Canada), sauf si l'appareil a été introduit au Canada à l'occasion d'un changement de résidence des États-Unis vers le Canada.

*Les garanties spécifiques formulées ci-dessus sont les **SEULES** que le fabricant accorde. Ces garanties vous confèrent des droits juridiques spécifiques et vous pouvez également jouir d'autres droits, variables d'un État à l'autre ou d'une province à l'autre.*

LE SEUL ET UNIQUE RECOURS DU CLIENT EN VERTU DE CETTE GARANTIE LIMITÉE EST LA RÉPARATION DU PRODUIT COMME DÉCRITE PRÉCÉDEMMENT. LES GARANTIES IMPLICITES, Y COMPRIS LES GARANTIES DE QUALITÉ MARCHANDE OU D'ADAPTATION À UN USAGE PARTICULIER, SONT LIMITÉES À UN AN OU À LA PÉRIODE LA PLUS COURTE PERMISE PAR LA LOI. MAYTAG CORPORATION NE SERA PAS TENUE RESPONSABLE DES DOMMAGES DIRECTS OU INDIRECTS. CERTAINS ÉTATS ET CERTAINES PROVINCES INTERDISENT L'EXCLUSION ET LA LIMITATION DES DOMMAGES DIRECTS OU INDIRECTS AINSI QUE LES LIMITATIONS SUR LA DURÉE DES GARANTIES IMPLICITES DE QUALITÉ MARCHANDE OU D'ADAPTATION À UN USAGE PARTICULIER. IL EST DONC POSSIBLE QUE CES LIMITATIONS NE S'APPLIQUENT PAS À VOUS. CETTE GARANTIE VOUS CONFÈRE DES DROITS JURIDIQUES SPÉCIFIQUES ET IL SE PEUT QUE VOUS AYIEZ D'AUTRES DROITS, QUI VARIENT D'UN ÉTAT À L'AUTRE OU D'UNE PROVINCE À L'AUTRE.

Ne sont pas couverts par ces garanties

1. Les problèmes et dommages résultant des situations suivantes :
 - a. Mise en service, livraison ou entretien effectués incorrectement.
 - b. Toute réparation, modification, altération et tout réglage non autorisés par le fabricant ou par un prestataire de service après-vente agréé.
 - c. Mauvais emploi, emploi abusif, accidents, usage non raisonnable, ou catastrophe naturelle.
 - d. Courant électrique, tension, alimentation électrique ou en gaz incorrects.
 - e. Réglage incorrect d'une commande.
 - f. Utilisation des supports (socles) qui ne sont pas de marque Maytag.
2. Les garanties ne peuvent être honorées si les numéros de série d'origine ont été enlevés, modifiés ou ne sont pas facilement lisibles.
3. Ampoules, filtres à eau et filtres à air.
4. Les produits achetés à des fins commerciales ou industrielles.
5. Les frais de dépannage ou de visite pour :
 - a. Correction d'erreurs de mise en service. Pour les produits nécessitant une ventilation, un conduit métallique rigide doit être utilisé.
 - b. Initiation de l'utilisateur à l'emploi de l'appareil.
 - c. Transport de l'appareil chez le réparateur et retour de l'appareil chez l'utilisateur.
 - d. Résolution des problèmes reliés aux supports qui ne sont pas de marque Maytag.
6. Tout aliment perdu en raison de pannes du réfrigérateur ou du congélateur.
7. Dépenses de déplacement et de transport pour la réparation du produit dans des endroits éloignés.
8. Cette garantie n'est pas valide à l'extérieur des États-Unis et du Canada. Communiquez avec votre détaillant pour savoir si une autre garantie s'applique.
9. Dommages indirects ou accessoires subis par toute personne à la suite d'une quelconque violation des garanties. Certains États ou provinces ne permettent pas l'exclusion ou la limitation de responsabilité en ce qui concerne les dommages directs ou indirects. L'exclusion ci-dessus peut en conséquence ne pas s'appliquer à votre cas.

Si vous avez besoin d'aide

Consultez d'abord la section sur le dépannage dans le manuel d'utilisation et d'entretien, puis appelez le détaillant de qui vous avez acheté votre appareil ou le service à la clientèle de Maytag Services, LLC au 1-800-688-9900 aux États-Unis et au 1-800-688-2002 au Canada pour savoir où trouver un réparateur autorisé.

- Veillez à conserver la facture d'achat pour justifier de la validité de la garantie. Pour d'autres renseignements concernant les responsabilités du propriétaire à l'égard du service sous garantie, voir le texte de la GARANTIE.
- Si le détaillant ou l'agence de service après-vente ne peut résoudre le problème, écrivez à Maytag Services, LLC à l'adresse suivante : CAIR® Center, P.O. Box 2370, Cleveland, TN 37320-2370 États-Unis, ou appelez au **1-800-688-9900 aux États-Unis ou au 1-800-688-2002 au Canada.**
- Les guides d'utilisation, les manuels de service et les renseignements sur les pièces sont disponibles auprès du service à la clientèle de Maytag Services, LLC.

Remarques : Veillez à fournir l'information suivante lorsque vous communiquez avec nous au sujet d'un problème :

- a. Vos nom, adresse et numéro de téléphone;
- b. Numéro de modèle et numéro de série de l'appareil;
- c. Nom et adresse du détaillant avec la date l'appareil acheté;
- d. Description détaillée du problème observé;
- e. Preuve d'achat (facture de vente).

SECADORA MAYTAG NEPTUNE®

GUÍA

DEL USO Y CUIDADO

TABLA DE MATERIAS

| | |
|--|---------------|
| Instrucciones de Seguridad | 33-34 |
| Sugerencias para el Escape de la Secadora..... | 35 |
| Sugerencias para el Funcionamiento..... | 36-37 |
| Uso de los Controles | 38-40 |
| Sugerencias Especiales para el Lavado..... | 41 |
| Cuidado y Limpieza..... | 42 |
| Reemplace la luz del Tambor | 42 |
| Invierta la Puerta | 42 |
| Rejilla de Secado | 43 |
| Localización y Solución de Averías..... | 44-45 |
| Garantía..... | Última Página |

INSTRUCCIONES IMPORTANTES DE SEGURIDAD

BIENVENIDA

¡Nuestra bienvenida y felicitaciones por la compra de una secadora Maytag Neptune®! Su completa satisfacción es muy importante para nosotros. Para obtener los mejores resultados le sugerimos que lea esta guía para familiarizarse con los procedimientos apropiados de funcionamiento y mantenimiento.

Si usted necesita ayuda en el futuro, es útil tener:

- 1) El número completo de modelo y de serie para identificación de su lavadora.

Fecha de Compra _____

Número de Modelo _____

Número de Serie _____

- 2) **IMPORTANTE: Conserve esta guía y el recibo de compra en un lugar seguro para referencia futura. Para obtener servicio bajo la garantía es necesario comprobar la fecha de compra original.**

Si tiene alguna consulta, o llame a:

Maytag Customer Assistance
1-800-688-9900 EE.UU.
1-800-688-2002 CANADÁ
(Lunes a Viernes, 8:00 a.m. - 8:00 p.m.
Hora del Este)
<http://www.maytag.com>

Para información sobre servicio y garantía, ver la última página.

NOTA: En nuestro continuo afán de mejorar la calidad de nuestros electrodomésticos, puede que sea necesario hacer modificaciones a la secadora sin actualizar esta guía.

Ahora Debe Conocer las Instrucciones de Seguridad

Las advertencias y las instrucciones importantes de seguridad que aparecen en este manual no tienen el propósito de cubrir todas las condiciones posibles que podrían ocurrir. Debe usarse sentido común, precaución y cuidado cuando se instale, se presente mantenimiento o se opere el electrodoméstico.

Siempre comuníquese con el distribuidor, concesionario, agente de servicio o fabricante para los asuntos relacionados con problemas o condiciones que no entienda.

Reconozca los Símbolos de Seguridad, Advertencias, Etiquetas

ADVERTENCIA

ADVERTENCIA: Peligros o prácticas no seguras que **PODRIAN** causar lesión personal grave o mortal.

PRECAUCIÓN

PRECAUCIÓN: Peligros o prácticas no seguras que **PODRIAN** causar lesión personal menos grave.

ADVERTENCIA

ADVERTENCIA: Para su seguridad, se debe seguir estrictamente la información proporcionada en esta guía a fin de reducir a un mínimo el riesgo de incendio o explosión o para evitar lesión personal o mortal y daños materiales.

- No almacene ni use gasolina u otros vapores y líquidos inflamables en la proximidad de este o de cualquier otro electrodoméstico.

QUE HACER SI PERCIBE OLOR A GAS:

- No trate de encender ningún electrodoméstico.
- No toque ningún interruptor eléctrico.
- No use ningún teléfono en su edificio.
- Haga salir de la habitación o del edificio o del área a todos los ocupantes.
- Llame inmediatamente a su proveedor de gas de un teléfono vecino. Siga las instrucciones del proveedor de gas.
- Si no puede localizar a su proveedor de gas, llame al departamento de bomberos.

La instalación y el servicio deben ser efectuados por un instalador calificado, una agencia de servicio o el proveedor de gas.

INSTRUCCIONES IMPORTANTES DE SEGURIDAD

ADVERTENCIA

Para reducir el riesgo de incendio, explosión, choque eléctrico o lesiones personales cuando use esta secadora, siga las siguientes precauciones básicas de seguridad:

1. Lea todas las instrucciones antes de usar el electrodoméstico.
2. Para evitar la posibilidad de un incendio o explosión:
 - a. No seque artículos que hayan sido limpiados, lavados, remojados o manchados con gasolina, solventes de lavado en seco u otras sustancias inflamables o explosivas, ya que estas emiten vapores que podrían encenderse o explotar. Cualquier material que haya sido expuesto a un solvente de limpieza o que esté saturado de líquidos o sólidos inflamables no debe ser colocado en la secadora hasta que todos los rastros de estos materiales inflamables y sus vapores se hayan removido. Existen muchos artículos inflamables en uso en el hogar tales como: acetona, alcohol desnaturalizado, gasolina, keroseno, algunos limpiadores líquidos, algunos quitamanchas, trementina, ceras y removedores de cera.
 - b. Los artículos que contengan goma espuma (pueden estar marcados como espuma de látex) o de materiales de textura similar no deben secarse en el ajuste de alta temperatura. Los materiales de goma espuma, cuando se calientan, pueden crear bajo ciertas circunstancias un incendio por combustión espontánea.
3. No permita que los niños o las mascotas jueguen dentro o sobre el electrodoméstico o delante del mismo. Se requiere supervisión estricta cuando se use el electrodoméstico cerca de niños y mascotas.
4. Antes de desinstalar el electrodoméstico para realizar reparaciones o para descartarlo, retire la puerta del compartimento de secado.
5. No introduzca las manos en el electrodoméstico cuando el tambor esté en movimiento.
6. No instale o almacene este electrodoméstico a la intemperie.
7. No altere los controles.
8. No repare o reemplace ninguna pieza de este electrodoméstico ni intente realizar el servicio a menos que sea recomendado en publicaciones con instrucciones de reparación para el usuario que usted comprenda y que tenga las habilidades para llevarlo a cabo.
9. No use suavizantes de telas o productos para eliminar estática a menos que el fabricante de dichos productos los recomiende.
10. Limpie el filtro de hilachas antes o después de cada carga.
11. Mantenga el área que rodea la abertura del escape y las áreas cercanas libres de acumulación de hilachas, polvo y sucio.
12. El interior de la secadora y el conducto del escape deben limpiarse a menudo por personal de servicio calificado.
13. Este electrodoméstico debe ser debidamente puesto a tierra. Nunca enchufe el electrodoméstico en un tomacorriente que no esté debidamente puesto a tierra de acuerdo con los códigos locales y nacionales. Consulte las instrucciones de instalación para la puesta a tierra de este electrodoméstico.
14. No se sienta sobre la secadora.
15. No coloque los artículos expuestos a los aceites de cocina en su secador. Los artículos contaminados con aceites de cocina pueden contribuir a una reacción química que podría hacer una carga coger el fuego.

NOTA: Debido a la mejora continua de sus productos, Maytag se reserva el derecho de cambiar las especificaciones sin previo aviso. Si desea ver los detalles completos, consulte las instrucciones de instalación que vienen con su producto antes de seleccionar el tipo de ebanistería, marcar las aberturas o comenzar la instalación.

ADVERTENCIA

Podían ocurrir fugas de gas en el sistema y causar una situación peligrosa. Es posible que las fugas de gas no se detecten con el olfato solamente. Los proveedores de gas recomiendan que compre e instale un detector de gas aprobado por UL. Instálelo y úselo de acuerdo con las instrucciones del fabricante.

ADVERTENCIA

No coloque en su secadora artículos que han estado manchados o remojados en aceite vegetal o aceite de cocina. Aún después de ser lavados estos artículos pueden contener cantidades significativas de estos aceites. El aceite restante puede encenderse espontáneamente. El peligro de emisión espontánea aumenta cuando los artículos que contienen aceite vegetal o aceite de cocina son expuestos al calor. Las fuentes de calor, tales como una secadora de ropa, pueden calentar estos artículos permitiendo que se produzca una reacción de oxidación en el aceite. La oxidación crea calor. Si este calor no puede escapar, los artículos quedan lo suficientemente calientes como para prenderse fuego. Al amontonar, aplicar o guardar artículos se evita que el calor escape creando un peligro de incendio.

Todas las telas lavadas y no lavadas que contengan aceite vegetal o aceite de cocina pueden ser peligrosas. Si lava estos artículos en agua caliente y con detergente adicional reducirá, pero no eliminará, el peligro. Siempre use el ciclo "cool down" (enfriamiento) para estos artículos a fin de reducir la temperatura de los artículos. Nunca saque estos artículos de la secadora caliente ni interrumpa el ciclo de secado hasta que los artículos no hayan pasado por el ciclo "cool down", nunca amontone ni apile estos artículos cuando estén calientes.

SUGERENCIAS PARA EL ESCAPE DE LA SECADORA

⚠️ ADVERTENCIA

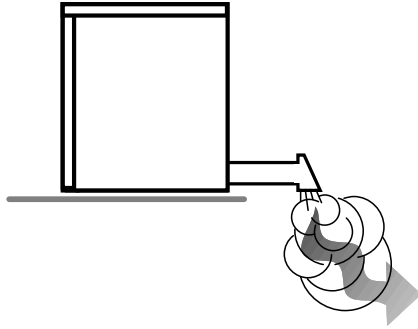
⚠️ **ADVERTENCIA:** Los conductos flexibles de plástico o no metálicos presentan un peligro potencial de incendio.

CORRECTO

Lea las instrucciones de instalación y la Guía del Uso y Cuidado

CORRECTO

Asegúrese de que el aire salga fácilmente por el escape de la secadora.

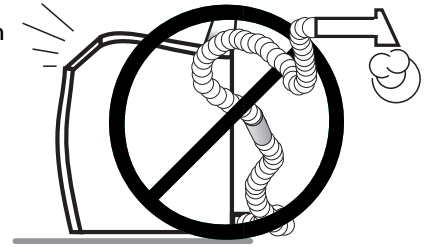


INCORRECTO

Permitir que un sistema de escape deficiente prolongue el tiempo de secado.

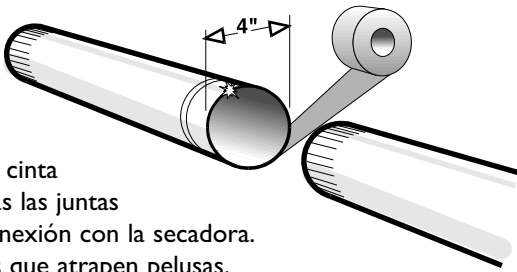
INCORRECTO

Restringir su secadora con un sistema de escape deficiente.



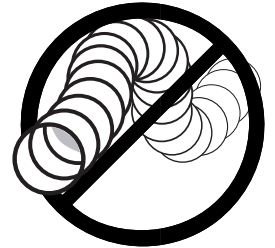
CORRECTO

Use un conducto de metal rígido de 4 pulgadas de diámetro. Coloque cinta obturadora en todas las juntas incluyendo en la conexión con la secadora. Nunca use tornillos que atrapen pelusas.



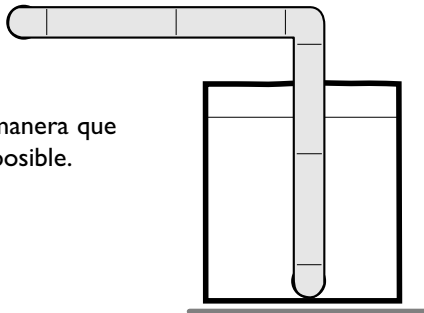
INCORRECTO

Usar conductos flexibles de plástico, aluminio delgado o no metálicos.



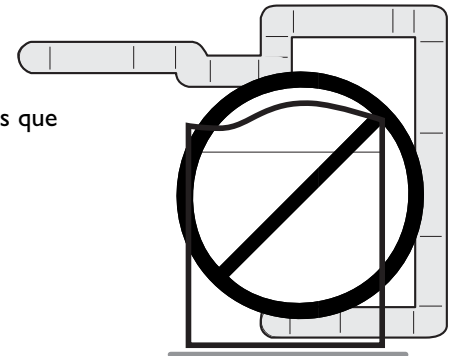
CORRECTO

Instale el conducto de manera que quede lo más derecho posible.



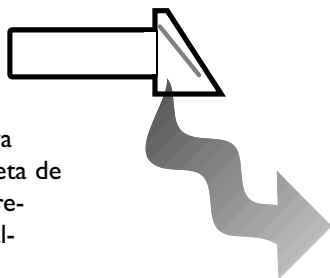
INCORRECTO

Usar conductos más largos que lo necesario con muchos codos.



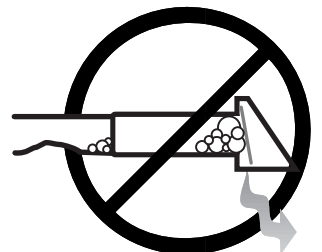
CORRECTO

Limpie todos los conductos antiguos antes de instalar su nueva secadora. Asegúrese de que la aleta de ventilación se abra y se cierre libremente. Inspeccione y limpie anualmente el sistema de escape.



INCORRECTO

Aplastamiento u obstrucción de los conductos y del respiradero.

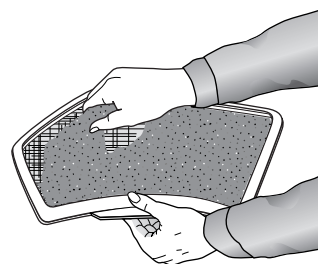


SUGERENCIAS PARA EL FUNCIONAMIENTO

LIMPIE EL FILTRO DE HILACHAS

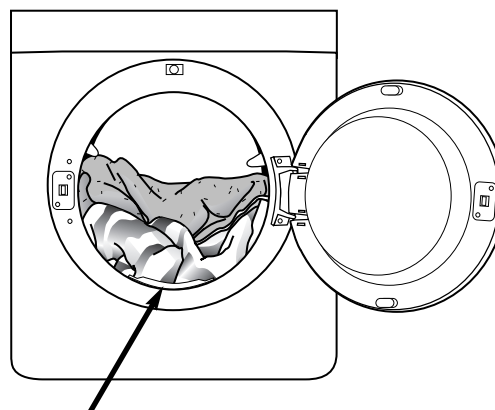
- Después de cada carga de ropa.
- Para reducir el tiempo de secado.
- Para ahorrar energía.

NOTA: No haga funcionar la secadora sin el filtro de hilachas en su lugar.



CARGUE LA SECADORA ADECUADAMENTE

- Coloque una sola carga de ropa en la secadora a la vez.
- Las cargas mixtas de ropa pesada y ligera se secarán de manera diferente. La ropa ligera se secará, mientras que la ropa pesada puede quedar húmeda.
- Añada uno o más artículos similares en la secadora cuando necesite secar sólo uno o dos artículos. Esto mejora la acción giratoria del tambor y la eficiencia del secado.
- La sobrecarga restringe la acción giratoria, lo que hace que el secado no sea uniforme y que algunas telas se arruguen de manera excesiva.

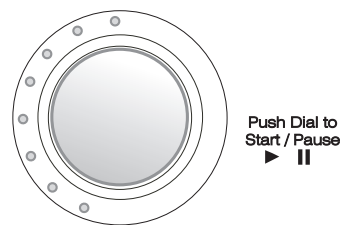


Filtro de hilachas

SUGERENCIAS PARA EL FUNCIONAMIENTO

ENCIENDA LA SECADORA

Después de programar el ciclo y las opciones deseadas, oprima la perilla de **selección del ciclo** para encender la secadora. Para interrumpir el ciclo, oprima la perilla de **selección del ciclo** nuevamente. Para reiniciar el ciclo, oprima la perilla de **selección del ciclo** y el ciclo continuará a partir del punto de interrupción.



Push Dial to
Start / Pause
▶ ||

APAGUE LA SECADORA

Tecla "Power Off" (apagado)

Oprima la tecla **"Power Off"** (apagado) para anular el ciclo y detener la secadora.



DESPLIEGUE DEL TIEMPO ESTIMADO (MODELOS SELECTOS)

La pantalla digital muestra el tiempo estimado restante del ciclo después de que se oprima la perilla de **selección del ciclo**. El tiempo estimado restante puede variar a medida que el ciclo avanza.



LUCES DE ESTADO DEL CICLO (EL ESTILO VARÍA POR EL MODELO)

La luz "Drying" (secando) se encenderá y permanecerá encendida hasta que finalice el ciclo. Cuando la secadora esté en la porción de enfriamiento del ciclo, la luz "Cooling" (enfriando) se encenderá.

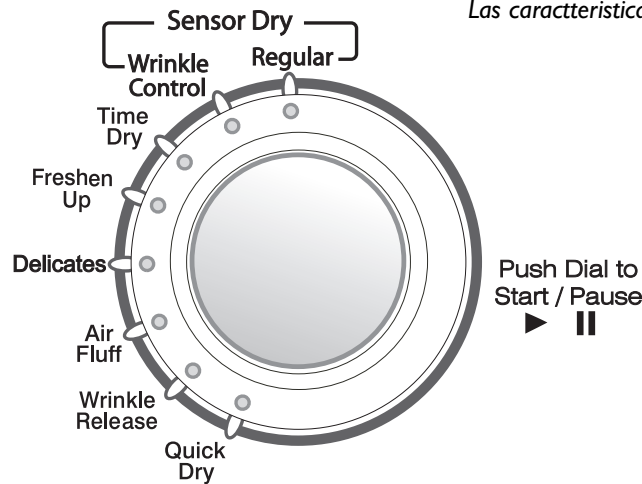
Si se eligió la opción "Wrinkle Prevent" (prevención de arrugas), se encenderá la luz correspondiente. El perseguimiento de luces aparecerá en la exhibición cuando se selecciona la arruga previene (modelos selectos). Vea la página 40.

Cuando finalice el ciclo, "End" (fin) o "00" (modelos selectos) aparecerá en la pantalla hasta que se abra la puerta.

Si se interrumpe el secado durante el ciclo, las luces indicadoras destellarán hasta que se oprima la perilla de **selección del ciclo**.



USO DE LOS CONTROLES



Las características de control varían según el modelo.

Paso 1

SELECCIONE EL CICLO

Para seleccionar un ciclo, gire la perilla de **selección del ciclo** al ajuste deseado. La luz indicadora al lado del ciclo correspondiente se encenderá.

Los ciclos regular y de control de arrugas son ciclos de secado con sensor. El sensor de secado detecta automáticamente el nivel de humedad de la ropa y apaga la secadora cuando el nivel de secado seleccionado (entre muy seco y secado húmedo) es alcanzado.

Regular

El ciclo regular está diseñado para secar artículos como toallas, ropa interior, pantalones de mezclilla, etc.

Wrinkle Control (control de arrugas)

El ciclo de control de arrugas está diseñado para secar automáticamente artículos inarrugables de algodón, telas sintéticas, tejidos y telas de planchado permanente. Este ciclo minimiza las arrugas proporcionando un período mayor de enfriamiento sin calor al final del ciclo.

NOTA: Cuando use el ciclo de lavado contra arrugas, no se puede cambiar la Selección de la Temperatura ya que está configurada por defecto para reducir las arrugas.

Time Dry (secado programado)

El secado programado permite seleccionar la duración del ciclo de secado en minutos. Gire la perilla de **selección del ciclo** al ajuste "Time Dry" (secado programado) y oprima la tecla **flechada** hacia arriba para programar el tiempo de secado. Oprima la tecla flechada repetidamente para navegar entre las opciones de



Time

tiempo. Para agregar o para restar tiempo del ciclo, vea Opción-Para ajustar el tiempo, página 40.

Freshen Up (refrescamiento) (modelos selectos)

Este es un ciclo de secado corto diseñado para eliminar olores y refrescar la ropa.

Delicates (ropa delicada)

El ciclo de ropa delicada está diseñado para secar los artículos sensibles al calor a la temperatura mínima de secado.

Air Fluff (esponjado con aire)

El ciclo de esponjado con aire hace girar la ropa a temperatura ambiente.

Wrinkle Release (eliminación de arrugas)

El ciclo de eliminación de arrugas elimina las arrugas de los artículos que están limpios y secos pero que están ligeramente arrugados, tales como los artículos que han estado guardados en un armario lleno o en una maleta o que han estado en la secadora por demasiado tiempo después de que el ciclo ha finalizado. Este ciclo puede utilizarse con cualquier ajuste de temperatura.

Quick Dry (secado rápido) (modelos selectos)

Proporciona un ciclo de secado de 30 minutos.

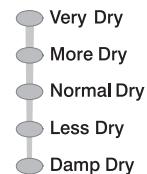
USO DE LOS CONTROLES

Paso 2

SELECCIONE EL NIVEL DE SECADO

Para seleccionar el nivel de secado en el ciclo regular o de control de arrugas, oprima la tecla "**Sensor Dry Level**" (nivel de secado por sensor). Una luz indicadora se iluminará junto al nivel de secado deseado. Oprima la tecla repetidamente para navegar entre los ajustes.

Las cargas de mayor tamaño o de artículos más voluminosos requerirán el ajuste "Very Dry" (muy seco) o "More Dry" (más seco) para secar completamente la carga. El ajuste "Less Dry" (menos seco) es mejor para las telas más livianas o para dejar algo de humedad en la ropa al finalizar el ciclo. "Damp Dry" (seco húmedo) (modelos selectos) se diseña para secar parcialmente artículos. Uso para los artículos que ponen el plano o cuelgan para secarse.



Sensor Dry Level

Paso 3

SELECCIONE LA TEMPERATURA

Para seleccionar correctamente la temperatura de secado, oprima la tecla "**Temperature**" (temperatura). Una luz indicadora se iluminará junto a la temperatura deseada. Oprima la tecla repetidamente para navegar entre los ajustes.

NOTA: Cuando use el ciclo de lavado contra arrugas, no se puede cambiar la Selección de la Temperatura ya que está configurada por defecto para reducir las arrugas.



Temperature

Use la siguiente tabla como guía:

| TEMP. DE SEC. | TIPO DE CARGA |
|--|--|
| Regular | Para algodones resistentes o etiquetados para secado en tambor. |
| Medium (Intermedia) | Para telas de planchado permanente, sintéticas, de algodón liviano o etiquetadas para secado en tambor a temperatura intermedia. |
| Low (Baja) | Para artículos sensibles al calor etiquetados para secado en tambor a temperatura baja o tibia. |
| Extra Low (Muy baja) (modelos selectos) | Proporciona la menor temperatura de secado posible. |

USO DE LOS CONTROLES

Paso 4

ELIJA LAS OPCIONES (SI LO DESEA)

Ajuste el tiempo

Se puede aumentar o disminuir el tiempo programado automáticamente para los ciclos de ropa delicada, control de arrugas, refresque para arriba (modelos selectos) eliminación de arrugas, secado húmedo o esponjado con aire.

Para aumentar o disminuir la duración del ciclo, oprima las teclas flechadas hacia arriba o hacia abajo de la función **"Adjust Time"** (ajuste de tiempo) hasta que se muestre el tiempo deseado.



Señal de finalización del ciclo

Cuando el ciclo haya terminado, escuchará una señal sonora. Cuando se seleccione la opción 'Wrinkle Prevent' (Prevención de arrugas), la señal sonará intermitentemente. Ajuste el volumen de la señal sonora o apáguela oprimiendo la tecla **"Chime"** (señal sonora). Oprima la tecla repetidamente para navegar entre las opciones.



Chime

Wrinkle Prevent (prevención de arrugas)

Esta opción ofrece aproximadamente 95 minutos de acción giratoria intermitente con aire no calentado al final del ciclo para reducir las arrugas. Oprima la tecla **"Wrinkle Prevent"** para activar esta función. La luz indicadora que se encuentra sobre la tecla se encenderá cuando se seleccione el ciclo de prevención de arrugas. El seguimiento de luces aparecerá en la exhibición cuando se selecciona la arruga previene (modelos selectos). La carga es seca y se puede quitar en cualquier momento durante la arruga previene el ciclo.



Bloqueo del control

Se puede bloquear el panel de control para mayor seguridad, limpieza o para prevenir el uso no autorizado de la secadora. El panel de control dejará de funcionar cuando esté bloqueado.

Para bloquear los controles, oprima y mantenga oprimidas las teclas **"Sensor Dry Level"** (nivel de secado) y **"Temperature"** (temperatura) durante 3 segundos. La luz indicadora de bloqueo del control se encenderá.



Sensor Dry Level Temperature

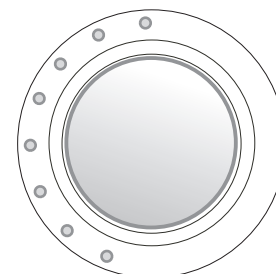
Para desbloquear los controles, oprima y mantenga oprimidas las teclas **"Sensor Dry Level"** (nivel de secado) y **"Temperature"** (temperatura) durante 3 segundos. La luz indicadora de bloqueo del control se apagará.



Paso 5

ENCIENDA LA SECADORA

Oprima la perilla de **selección del ciclo** para encender la secadora. La puerta de la secadora debe estar cerrada para que la secadora pueda funcionar. Si se abre la puerta durante el ciclo, oprima la perilla nuevamente para reiniciar el ciclo una vez que se haya cerrado la puerta.



Push Dial to Start / Pause
▶ ||

SUGERENCIAS ESPECIALES PARA EL LAVADO

Por favor siga las instrucciones de cuidado de la ropa o las instrucciones del fabricante que se encuentran en las etiquetas para secar artículos de secado especial. Si las instrucciones de la etiqueta no están disponibles, use la siguiente información a modo de guía.

| | |
|---|--|
| Cubrecamas y edredones | <ul style="list-style-type: none">• Siga las instrucciones de cuidado de la etiqueta o seque usando el ciclo regular con sensor y el ajuste de temperatura regular.• Asegúrese de que el artículo esté completamente seco antes de usarlo o almacenarlo.• Es posible que deba cambiar la posición del artículo para asegurarse de que se seque de manera uniforme. |
| Frazadas | <ul style="list-style-type: none">• Use el ciclo regular con sensor y seque solamente una frazada a la vez para obtener la mejor acción giratoria.• Asegúrese de que el artículo esté completamente seco antes de usarlo o almacenarlo. |
| Cortinas y telas | <ul style="list-style-type: none">• Use el ciclo de control de arrugas con sensor para ayudar a minimizar las arrugas.• Seque estos artículos en cargas pequeñas para obtener los mejores resultados y retírelos de la secadora lo más rápido posible. |
| Pañales de tela | <ul style="list-style-type: none">• Use el ciclo regular con sensor y el ajuste de temperatura regular para obtener pañales suaves y esponjosos. |
| Artículos rellenos de plumas (abrigos, sacos de dormir, edredones, etc.) | <ul style="list-style-type: none">• Use el ciclo regular con sensor y el ajuste de temperatura muy bajo.• Coloque un par de zapatos de goma en la secadora con el artículo para esponjar los edredones de plumas, etc. Si añade un par de toallas secas a la carga reducirá el tiempo de secado y absorberá la humedad. |
| Goma espuma (reversos de alfombras, peluches, hombreras, etc.) | <ul style="list-style-type: none">• NO use el ajuste de temperatura caliente para secar. Use el ciclo de esponjado con aire (sin calor).• ⚠ ADVERTENCIA – Secar un artículo de goma con calor puede dañarlo o causar un riesgo de incendio. |
| Almohadas | <ul style="list-style-type: none">• Use el ciclo de secado regular con sensor.• Añada un par de toallas secas y un par de zapatos de goma limpios para mejorar la acción giratoria y para esponjar el artículo.• NO seque en la secadora almohadas de capoc o de espuma. |
| Artículos de plástico (cortinas de la ducha, cubiertas de muebles, etc.) | <ul style="list-style-type: none">• Use el ciclo de esponjado con aire o el ciclo de secado programado y el ajuste de temperatura muy bajo dependiendo de las instrucciones de cuidado de la etiqueta. |

EVITE SECAR EN LA SECADORA

- Artículos de fibra de vidrio (cortinas, telas, etc.).
- Tejidos de lana a menos que lo recomiende la etiqueta de cuidado.
- Artículos empapado con aceite vegetal o de cocinar. (Vea la pág. 34)

CUIDADO Y LIMPIEZA

Panel de control – limpie con un paño suave y húmedo. No use sustancias abrasivas. No rocíe limpiadores directamente sobre el panel.

El acabado del panel de control podría dañarse con el uso de algunos productos de lavandería para el tratamiento y remoción de manchas. Aplique estos productos alejado de la secadora y limpie cualquier derrame o exceso de rociado inmediatamente.

Tambor – remueva cualquier mancha de creyón, tinta de bolígrafo o tinte (causadas por artículos nuevos tales como toallas o mezcilla) con un limpiador multiuso. Luego haga girar en el tambor paños o toallas viejas para retirar cualquier mancha adicional o acumulación de limpiador. Una vez que se hayan completado los pasos anteriores, es posible que todavía vea manchas, pero las mismas no deberían afectar las cargas de ropa subsecuentes.

Tambor de acero inoxidable (modelos selectos) – Para limpiar el tambor de acero inoxidable, use un paño húmedo con un limpiador suave no abrasivo adecuado para limpiar superficies de acero inoxidable. Elimine los residuos de limpiador y seque con un paño limpio.

Exterior de la secadora – Limpie con un paño suave y húmedo. **No use** sustancias abrasivas. Proteja la superficie de objetos afilados.

Sistema de ventilación de la secadora – este sistema debe ser inspeccionado y limpiado una vez al año para mantener un rendimiento óptimo. La campana de ventilación externa debe limpiarse con mayor frecuencia para asegurar su funcionamiento correcto. (Consulte las instrucciones de instalación para obtener información adicional.)

REEMPLACE LA LUZ DEL TAMBOR (MODELOS SELECTOS)

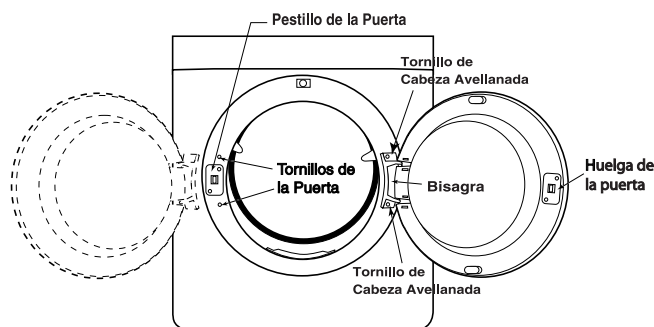
Instrucciones para el reemplazo del foco:

- 1) Desenchufe la secadora o desconéctela del suministro eléctrico.
- 2) Abra la puerta y use un destornillador para retirar el tornillo que fija la cubierta de la luz.
- 3) Retire la cubierta de la luz.
- 4) Gire el foco hacia la izquierda para sacarlo del portafoco.
- 5) Reemplace el foco con un foco E12 de 120V, 10W.
- 6) Gire el foco hacia la derecha en el portafoco.
- 7) Vuelva a instalar la cubierta de la luz.
- 8) Vuelva a instalar el tornillo que fija la cubierta de la luz.
- 9) Vuelva a conectar la secadora al suministro eléctrico.

INVIERTA LA PUERTA

Instrucciones para invertir la puerta de la secadora:

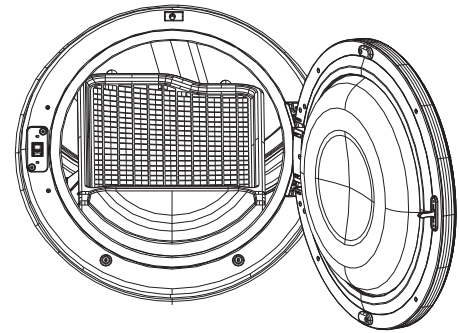
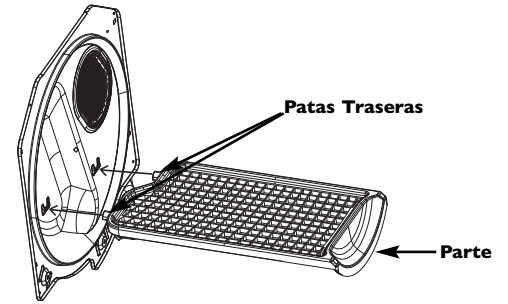
- 1) Retire los 2 tornillos de la bisagra que la sostienen en su lugar.
- 2) Retire la puerta y hágala a un lado cuidadosamente.
- 3) Retire los 2 tornillos para bisagra que se encuentran al lado opuesto de la bisagra.
- 4) Retire 2 tornillos de la placa de soporte de la bisagra.
- 5) Mueva la placa de soporte de la bisagra al lado opuesto y fíjela con los tornillos.
- 6) Mueva la bisagra al lado opuesto e instale los 2 tornillos de la bisagra.
- 7) Vuelva a colocar los 2 tornillos en los agujeros del lado opuesto.



REJILLA DE SECADO (MODELOS SELECTOS)

INSTALACION DE LA REJILLA DE SECADO

- 1) Abra la puerta de la secadora.
- 2) Introduzca la rejilla de secado en el tambor colocando las dos patas traseras en las dos rendijas en la pared trasera de la secadora.
- 3) Coloque el reborde delantero de la rejilla de secado sobre el filtro de hilachas.
- 4) Coloque los artículos a secar en la rejilla dejando suficiente espacio entre ellos para que el aire pueda llegar a todas las superficies.
- 5) Cierre la puerta de la secadora.
- 6) Use el ciclo de secado programado. Seleccione la duración del ciclo de acuerdo con la humedad y peso del artículo. Encienda la secadora. Puede que sea necesario restablecer el temporizador si se requiere un tiempo de secado más largo.



ARTICULOS SUGERIDOS

AJUSTES DE TEMP. SUGERIDOS

| | |
|---|---------------------------------------|
| Suéteres lavables (Deles forma y colóquelos planos en la rejilla) | Heat (Calor) |
| Juguetes rellenos (rellenos con algodón o poliéster) | Heat (Calor) |
| Juguetes rellenos (rellenos con espuma o goma) | Air Fluff (Aire frío) |
| Almohadas de goma de espuma | Air Fluff (Aire frío) |
| Zapatillas | Air Fluff or Heat (Aire frío o calor) |




⚠ ADVERTENCIA

Si se usa calor para secar artículos fabricados con goma espuma, plástico o goma se pueden dañar los artículos y crear un peligro de incendio.

LOCALIZACIÓN Y SOLUCIÓN DE AVERÍAS

CÓDIGOS DE INFORMACIÓN

Puede que se desplieguen códigos de información para ayudarle a comprender mejor lo que está ocurriendo en

| Símbolo de Código | Significado | Solución |
|---|---|--|
|  | Problema del control de la temperatura del calentador. | Solicite servicio como se indica abajo. |
|  | Problema de detección abierto de la puerta. | Solicite servicio como se indica abajo. |
|  | El error abierto de la puerta cuando se abre la puerta, el secador no funcionará. | Sea seguro que la puerta está trabada cerró. Si el problema continúa, llame para el servicio, ven abajo. |

Para cualquier código que no aparezca en la tabla anterior, llame gratuitamente a 'Maytag ServicesSM' (Servicio Maytag a los Clientes) al 1-800-688-9900 EE.UU. o 1-800-688-2002 Canada.

LOCALIZACIÓN Y SOLUCIÓN DE AVERÍAS

VERIFIQUE LO SIGUIENTE SI SU SECADORA MAYTAG NEPTUNE®...

| | |
|--|---|
| <p>No funciona</p> | <ul style="list-style-type: none"> • Asegúrese de que la puerta esté cerrada y asegurada. • Asegúrese de que el cordón eléctrico esté enchufado a un tomacorriente activo. • Verifique el disyuntor y los fusibles del hogar. • Oprima la perilla de selección del ciclo nuevamente si se abre la puerta durante el ciclo. |
| <p>No calienta</p> | <ul style="list-style-type: none"> • Verifique el disyuntor y los fusibles del hogar. • Seleccione un ajuste de temperatura con calor, no el esponjado con aire. • Si la secadora funciona a gas, verifique que el suministro de gas esté abierto. • Limpie el filtro de hilachas y el conducto de escape. • La secadora puede haber pasado a la porción de enfriamiento del ciclo. |
| <p>No seca</p> | <ul style="list-style-type: none"> • Verifique lo anterior y también lo siguiente: • Asegúrese de que la caperuza de ventilación en el exterior de la vivienda pueda abrirse y cerrarse libremente. • Verifique que no haya acumulación de hilachas en el sistema de escape. Los conductos deben ser inspeccionados y limpiados una vez al año. • Use conductos de escape rígidos de metal de 4" (10,16 cm) de diámetro. • No sobrecargue la secadora. 1 carga de lavadora = 1 carga de secadora. • Separe los artículos de ropa pesados de los livianos. • Es posible que los artículos grandes y voluminosos tales como frazadas o edredones deban ser reposicionados para asegurar un secado uniforme. • Verifique que la lavadora esté drenando adecuadamente para extraer la cantidad adecuada de agua de la ropa. • La carga de ropa es demasiado pequeña para que la acción giratoria sea la adecuada. Añada algunas toallas. |
| <p>Es ruidosa</p> | <ul style="list-style-type: none"> • Verifique la carga de ropa en busca de objetos tales como monedas, botones sueltos, clavos, etc. Retírelos inmediatamente de la secadora. • Es normal escuchar la válvula de gas de la secadora o el elemento calefactor encenderse y apagarse durante el ciclo de secado. • Asegúrese de que la secadora esté adecuadamente nivelada como se indica en el manual de instalación. • Es normal que la secadora emita un zumbido debido a la alta velocidad del aire cuando se mueve a través del tambor y del sistema de ventilación. |
| <p>No seca de manera uniforme</p> | <ul style="list-style-type: none"> • Las costuras, bolsillos y otras áreas gruesas similares pueden no quedar completamente secas cuando el resto de la carga haya alcanzado el nivel de secado seleccionado. Esto es normal. Seleccione la opción "Very Dry" (muy seco) si lo desea. • Si se está secando un artículo pesado en una carga de ropa liviana, como por ejemplo una toalla en una carga de sábanas, es posible que el artículo pesado no esté completamente seco cuando el resto de la carga haya alcanzado el nivel de secado seleccionado. Separe los artículos pesados de los livianos para obtener los mejores resultados del secado. |
| <p>Tiene olor</p> | <ul style="list-style-type: none"> • Los olores del hogar tales como la pintura, el barniz, los limpiadores fuertes, etc. pueden estar entrando en la secadora con el aire de la habitación. Esto es normal ya que la secadora toma el aire de la habitación, lo calienta, lo lleva a través del tambor y lo ventila a través del sistema de ventilación al exterior. Cuando estos olores estén en el aire, ventile completamente la habitación antes de usar la secadora. |
| <p>La secadora se apaga antes de que la carga de ropa esté seca</p> | <ul style="list-style-type: none"> • La carga de ropa es demasiado pequeña. Añada artículos similares o algunas toallas y reinicie el ciclo. • La carga de ropa es demasiado grande. Retire parte de la carga de ropa y reinicie la secadora. |

Para obtener asistencia adicional, póngase en contacto con atención al cliente de Maytag ServicesSM:
EE.UU.: 1-800-688-9900 o Canadá: 1-800-688-2002.

NOTAS

GARANTÍA DE LA SECADORA DE ROPA

Garantía

Garantía limitada de un año –

Piezas y mano de obra

Durante **un (1) año** a partir de la fecha original de compra al detal, se reparará o reemplazará gratuitamente cualquier pieza que falle durante el uso normal en el hogar.

Residentes Canadienses

Las garantías anteriores cubren solamente aquellos electrodomésticos instalados en Canadá que han sido certificados o aprobados por las agencias de prueba correspondientes para cumplimiento con la Norma Nacional de Canadá a menos que el electrodoméstico haya sido traído a Canadá desde los EE.UU. debido a un cambio de residencia.

*Las garantías específicas expresadas anteriormente son las **UNICAS** garantías provistas por el fabricante. Estas garantías le otorgan derechos legales específicos y usted puede tener además otros derechos que varían de un estado a otro.*

LA ÚNICA Y EXCLUSIVA SOLUCIÓN PARA EL CLIENTE BAJO ESTA GARANTÍA LIMITADA ES LA REPARACIÓN DEL PRODUCTO SEGÚN SE INDICA AQUÍ. LAS GARANTÍAS IMPLÍCITAS, INCLUYENDO LAS GARANTÍAS DE COMERCIALIZACIÓN O DE APTITUD PARA UN PROPÓSITO EN PARTICULAR ESTÁN LIMITADAS A UN AÑO O AL PERÍODO DE TIEMPO MÍNIMO PERMITIDO POR LA LEY. MAYTAG CORPORATION NO SERÁ RESPONSABLE DE DAÑOS INCIDENTALES O CONSECUENTES. ALGUNOS ESTADOS Y PROVINCIAS NO PERMITEN LA EXCLUSIÓN O LIMITACIÓN DE DAÑOS INCIDENTALES O CONSECUENTES O LA LIMITACIÓN DE LA DURACIÓN DE LAS GARANTÍAS IMPLÍCITAS DE COMERCIALIZACIÓN O APTITUD, POR LO QUE ESTAS EXCLUSIONES O LIMITACIONES PUEDEN NO APLICARSE EN SU CASO. ESTA GARANTÍA LE OTORGA DERECHOS LEGALES ESPECÍFICOS. USTED TAMBIÉN PUEDE TENER OTROS DERECHOS QUE VARÍAN DE UN ESTADO A OTRO O DE UNA PROVINCIA A OTRA.

Lo que no cubren estas garantías

- Situaciones y daños resultantes de cualquiera de las siguientes situaciones:
 - Instalación, entrega o mantenimiento inapropiados.
 - Cualquier reparación, modificación, alteración o ajuste no autorizados por el fabricante o taller de servicio autorizado.
 - Mal uso, abuso, accidentes, uso no razonable o hechos fortuitos.
 - Corriente, voltaje, suministro eléctrico o suministro de gas incorrectos.
 - Ajuste inadecuado de cualquier.
 - Uso de elevadores (pedestales) de marcas que no son Maytag.
- Las garantías quedan nulas si los números de serie originales han sido retirados, alterados o no se pueden determinar fácilmente.
- Bombillas, filtros de agua y filtros de aire.
- Los productos comprados para uso comercial o industrial.
- El costo del servicio o llamada de servicio para:
 - Corregir errores de instalación. Para los productos que requieran ventilación, se deben usar conductos de metal rígido.
 - Instruir al usuario en el uso adecuado del producto.
 - Transporte del electrodoméstico al establecimiento de servicio y de regreso.
 - Para corregir problemas relacionados a elevadores de marcas que no son Maytag.
- Cualquier pérdida de alimentos debido a fallas del refrigerador o congelador.
- Costos de viaje y transporte de servicio en áreas remotas.
- Esta garantía no se aplica fuera de los Estados Unidos y Canadá. Póngase en contacto con su distribuidor para determinar si se aplica cualquier otra garantía.
- Los daños consecuentes o incidentales sufridos por cualquier persona como resultado del incumplimiento de esta garantía. En algunos estados no se permite la exclusión o limitación de daños consecuentes o incidentales, por lo tanto la limitación o exclusión anterior puede no aplicarse en su caso.

Si necesita servicio

Primero revise la sección de localización y solución de averías en su guía de uso y cuidado o llame al distribuidor donde adquirió el electrodoméstico. También puede llamar a Maytag Services, LLC, Atención al cliente, al 1-800-688-9900 en EE.UU. y al 1-800-688-2002 en Canadá para ubicar a un agente de servicio calificado.

- Asegúrese de conservar el comprobante de compra para verificar el estado de la garantía. Consulte la sección sobre la GARANTÍA para mayor información sobre las responsabilidades del propietario para obtener servicio bajo la garantía.
- Si el distribuidor o la compañía de servicio no pueden resolver el problema, escriba a Maytag Services, LLC, Attn: CAIR® Center, P.O. Box 2370, Cleveland, TN 37320-2370 o llame al **1-800-688-9900 en EE.UU. y al 1-800-688-2002 en Canadá.**
- Las guías del propietario, manuales de servicio e información sobre las piezas pueden solicitarse a Maytag Services, LLC, Atención al cliente.

Notas: Cuando llame o escriba acerca de un problema de servicio, por favor incluya la siguiente información:

- Su nombre, dirección y número de teléfono;
- Número de modelo y número de serie;
- Nombre y dirección de su distribuidor o técnico de servicio;
- Una descripción clara del problema que está experimentando;
- Comprobante de compra (recibo de compra).